



**MARINE**

**ILLUSTRATED**

**PARTS MANUAL**

**MODEL MP5.0/5.7L**

**SN 670001 thru 671633**

This Page Was  
Intentially  
Left Blank

**Contents:**

Symbols .....	2
Maintenance Item Part Numbers .....	3
Cylinder Block Assembly - Figure 1 .....	4
Cylinder Head Assembly - Figure 2 .....	8
Intake Manifold Assembly - SN 670001 through 671343 - Figure 3 .....	10
Intake Manifold Assembly - SN 671344 and above - Figure 4 .....	12
Intake Manifold Components - SN 670001 through 671343 - Figure 5 .....	14
Intake Manifold Components - SN 671344 and above - Figure 6 .....	16
Oil Pan and Oil Pump Assembly - Figure 7 .....	18
Throttle Body and Related Components - Figure 8 .....	20
Model 07-570V-01, 07-570V-02 Throttle Body and Related Components - Figure 9 .....	22
Remote Oil Filter Components - Figure 10 .....	24
Model 07-570V-01, 07-570V-02 Remote Oil Filter Components - Figure 11 .....	26
Fuel Control Cell (FCC) Components - SN 670001 through 671342 - Figure 12 .....	28
Fuel Control Cell (FCC) Components - SN 671344 and above - Figure 13 .....	30
Returnless Fuel System Components - SN 670001 through 671343 - Figure 14 .....	32
Returnless Fuel System Components - SN 671344 and above - Figure 15 .....	36
Optional Fuel / Water Separator Components - Figure 16 .....	38
Heat Exchanger and Components - Figure 17 .....	40
Fresh Water Cooling System Components - Figure 18 .....	42
Exhaust Manifold and Components - Figure 19 .....	46
Raw Water Cooling Pump - Figure 20 .....	48
Wiring Harness Assemblies and Senders - Figure 21 .....	50
ECM and Relays - Figure 22 .....	52
Model 07-570V-01, 07-570V-02 ECM and Relays - Figure 23 .....	54
Accessory Drive System Components (Serpentine - LH) - Figure 24 .....	56
Accessory Drive System Components (Serpentine - RH) - Figure 25 .....	60
Starter Assembly Components - Figure 26 .....	64
Engine and Transmission Mounts - Figure 27 .....	66
Model 07-570V-01, 07-570V-02 Engine and Transmission Mounts - Figure 28 .....	68
Bellhousing Assembly - Figure 29 .....	70
Transmission and Related Parts (Velvet Drive In-Line) - Figure 30 .....	72
Transmission and Related Parts (Velvet Drive "V"-Drive) - Figure 31 .....	74
Transmission and Related Parts (Velvet Drive 5000) - Figure 32 .....	76
Transmission and Related Parts (Hurth Gear) - Figure 33 .....	78
Right Hand Rotation Engine Components - Figure 34 .....	80
Kits, Options, and Accessories .....	82

**“TYPICAL VIEWS ARE SHOWN”****ENGINE ROTATION**

Engine Rotation is identified as “RH” or “LH” with the engine model number. Rotation always is determined from the flywheel end looking toward the front of the engine. In some instances, propeller shaft rotation may be opposite to that of the engine.

When ordering a replacement engine, production block or parts for the engine, be certain to check engine rotation. **DO NOT rely on propeller rotation in order to determine engine rotation.**

**LEFT-HAND ROTATION is STANDARD ROTATION.**

(Flywheel turns counterclockwise when viewed from flywheel end of the engine.)

**RIGHT-HAND ROTATION is OPPOSITE ROTATION.**

(Flywheel turns clockwise when viewed from flywheel end of the engine.)

**HOW TO READ THIS PARTS BOOK:**

ITEM	PART NO.	QTY.	DESCRIPTION	MODEL ID
1	RB001005I	1	Base Engine Assembly, 5.7L	

①
②
③
④
⑤

- ① ITEM NUMBER - This number corresponds with the number in the exploded view on the facing page.
- ② PART NUMBER - This is the designated part number for the particular component or assembly.
- ③ QUANTITY - This refers to the number of pieces used.
- ④ DESCRIPTION - This identifies what the component or assembly is.
- ⑤ MODEL ID - This identifies a component or assembly that is unique to a specific engine model.

=====

Symbols shown throughout parts list are defined here or on the bottom of the individual parts list page.

- AR = As Required
  - OPT = Optional
  - NSS = Not Serviced Separately
  - NA = Not Available
  - OS = Oversize
  - US = Undersize
  - SS = Single Station
  - DS = Dual Station
  - TBD = To Be Determined
  - NI = Not Illustrated
- =====

**REPLACEMENT PARTS:**



**WARNING:**

Electrical, ignition and fuel system components on Crusader Engines are designed and manufactured to comply with U.S. Coast Guard rules and regulations to minimize risks of fire or explosion.

Use of replacement electrical, ignition and fuel system components which do not comply with these rules and regulations could result in a fire or explosion hazard and should be avoided.

**MAINTENANCE ITEM PART NUMBERS:**

Description	Part Number
Oil Filter	22679
Kit, Transmission Oil Filter (ZF)	RP077011
Kit, Fuel / Water Separator	RK080033
Fuel Filter, screen and gasket, pre-filter	RP077014
Fuel Filter, FCC	RP080026
Spark Plugs	RP030010
Spark Plug Wire Set	RK120018A
Spark Plug Wire Set (RH)	RK120020
Serpentine Drive Belt (LH, 70 Amp)	R066028
Serpentine Drive Belt (LH, 100 Amp)	R066030
Serpentine Drive Belt (RH, 70 Amp)	R066029A
Serpentine Drive Belt (RH, 100 Amp)	R066031
Impeller Kit	RP061022
Thermostat (FWC)	R026007
On-Board Spare Parts Kit (LH, w/ FCC Fuel System)	RK173089D-07
On-Board Spare Parts Kit (RH, w/ FCC Fuel System)	RK173089E-07

**CHANGE NOTICE:**

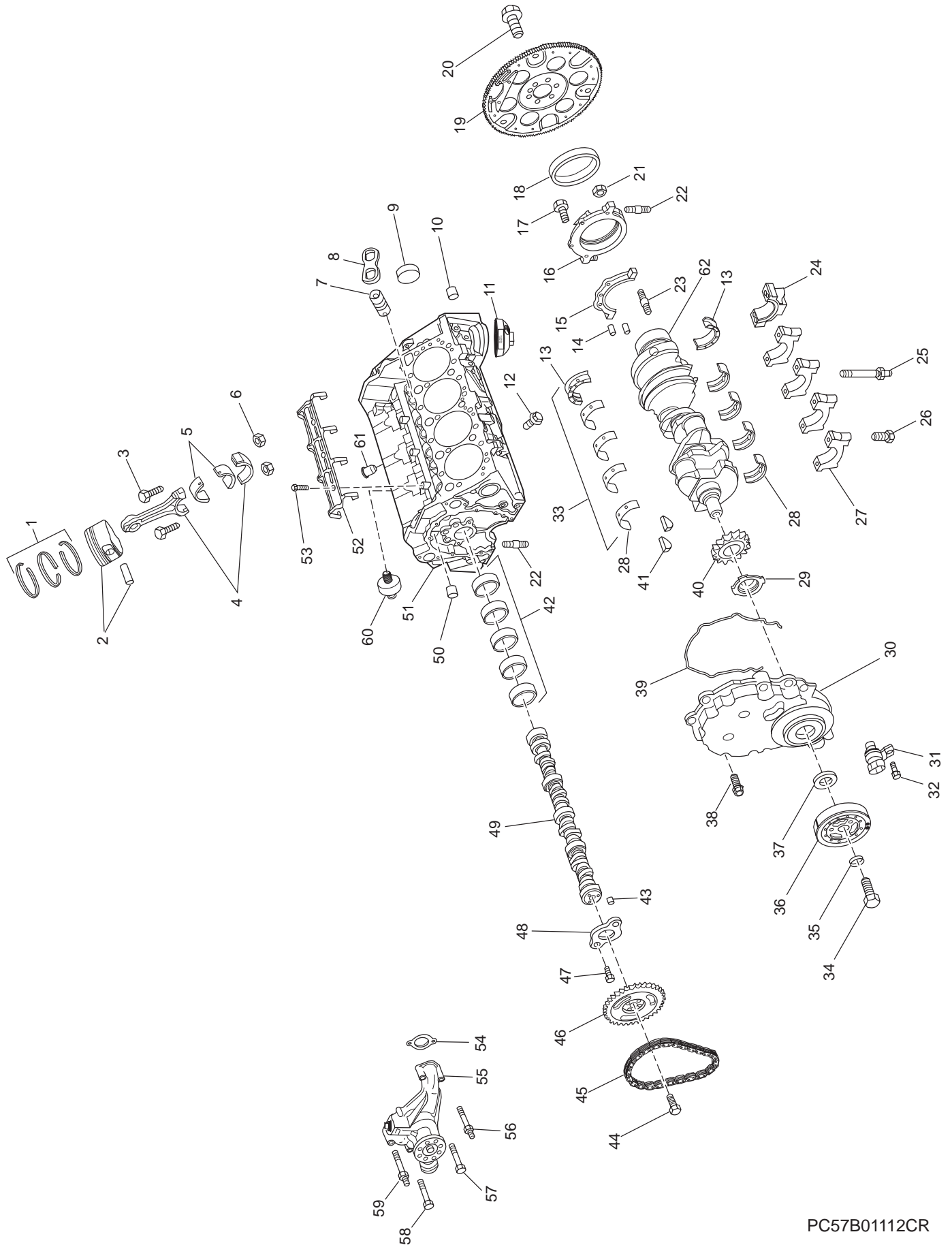
Change Pages	Date Updated
Revised	07/07

**MARINE TRANSMISSIONS:**

Crusader Engines are equipped with Velvet Drive or Hurth Transmissions, or "V"-drives. If transmission parts are required, contact your dealer or closest Crusader Parts Distributor for required parts.

Parts manuals and overhaul manuals are available through Crusader Distributors.

CYLINDER BLOCK ASSEMBLY - FIGURE 1

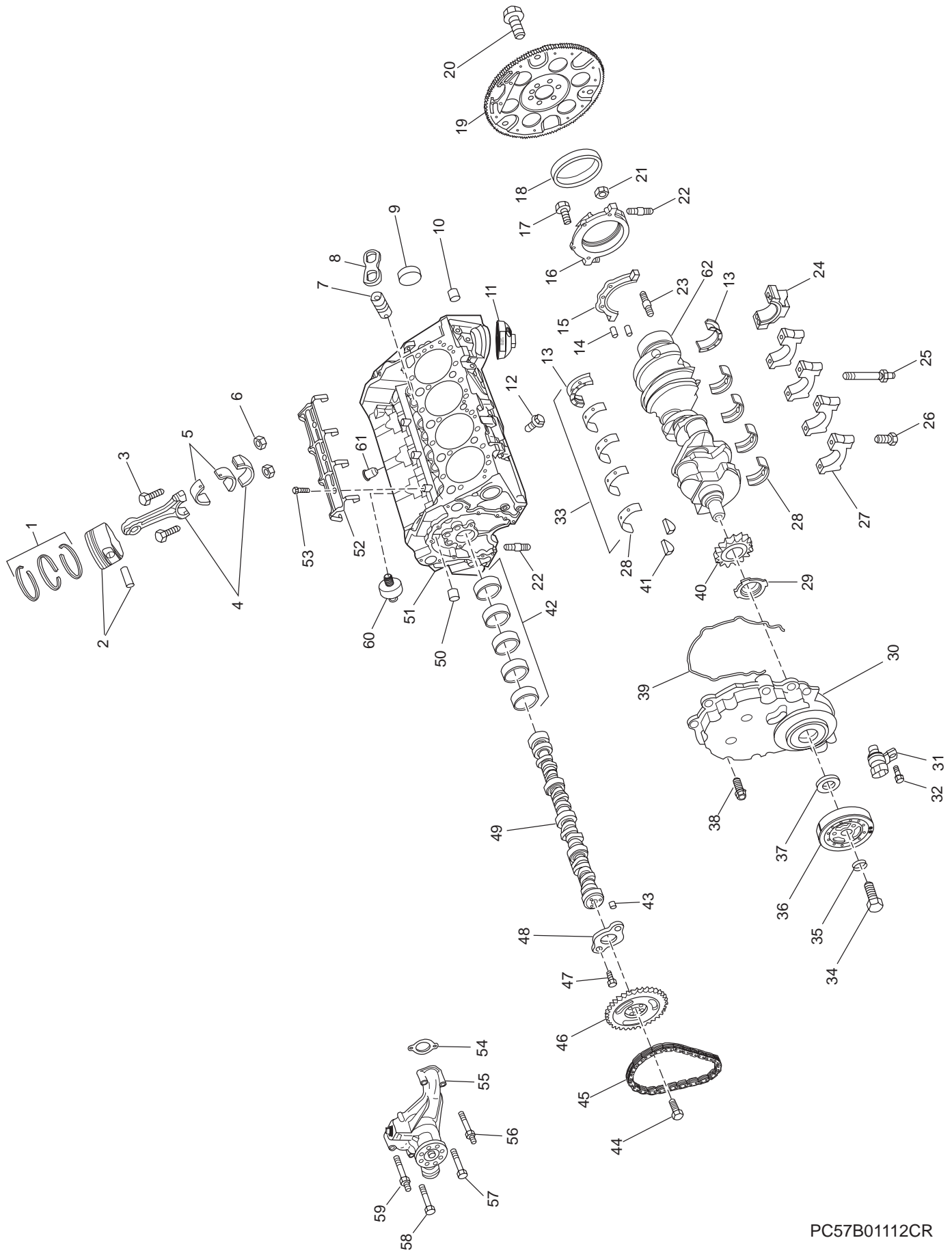


PC57B01112CR

## CYLINDER BLOCK ASSEMBLY - FIGURE 1

ITEM	PART NO.	QTY.	DESCRIPTION	MODEL ID
*	RB001004B		<b>5.0L Base Engine Assembly</b>	
*	RB001005I		<b>5.7L Base Engine Assembly</b>	
1	R015013	8	<b>Ring Set</b> , piston 5.7L (STD)	
1	R015006	8	<b>Ring Set</b> , piston 5.0L (STD)	
2	RA013016	8	<b>Piston</b> , 5.7L (STD)	
2	RA013017	8	<b>Piston</b> , 5.0L (STD)	
3	7080280	16	<b>Bolt</b> , connecting rod cap	
4	RA011012	8	<b>Connecting Rod</b> (STD)	
5	R007023	8	<b>Bearing Set</b> , connecting rod (STD)	
6	7080050	16	<b>Nut</b> , connecting rod cap	
7	R035038	16	<b>Lifter</b> , roller, valve	
8	R037001	8	<b>Guide</b> , valve lifter	
9	R069064	1	<b>Plug</b> , camshaft	
10	33089	3	<b>Plug</b> , oil gallery	
11	R079051	1	<b>Adapter</b> , oil bypass 5.7L	
12	RS3552	2	<b>Plug</b> , engine block coolant drain hole	
13	7050680	1	<b>Bearing</b> , crankshaft rear main (STD)	
13	7057200	AR	<b>Bearing</b> , crankshaft rear main (.001 US)	
13	7057220	AR	<b>Bearing</b> , crankshaft rear main (.010 US)	
13	7057230	AR	<b>Bearing</b> , crankshaft rear main (.020 US)	
14	7070340	1	<b>Pin</b> , crankshaft rear oil seal housing alignment	
15	7070370	1	<b>Gasket</b> , crankshaft rear oil seal housing	
16	R134070	1	<b>Housing</b> , crankshaft rear oil seal	
17	7057250	2	<b>Bolt</b> , crankshaft rear oil seal housing, short	
17	7057260	1	<b>Bolt</b> , crankshaft rear oil seal housing, long	
18	R047173A	1	<b>Seal</b> , crankshaft rear oil (LH)	
18	R047175	1	<b>Seal</b> , crankshaft rear oil (RH)	xx-571x-xx, xx501x-xx
19	RA138008	1	<b>Flywheel Assembly</b> (Top Mount Starter)	
19	RA138010	AR	<b>Flywheel Assembly</b> (Bottom Mount Starter)	
20	7070480	6	<b>Bolt</b> , flywheel attaching	
21	7057270	2	<b>Nut</b> , crankshaft rear oil seal housing	
22	TBD	4	<b>Stud</b> , crankshaft rear oil seal housing	
23	7050700	2	<b>Stud</b> , crankshaft rear oil seal housing	
24	NSS	1	<b>Cap</b> , crankshaft bearing #5	
25	7050870	5	<b>Stud</b> , crankshaft bearing cap	
26	7050690	5	<b>Bolt</b> , crankshaft bearing cap	
27	NSS	4	<b>Cap</b> , crankshaft bearing #1 - #4	
28	7050670	4	<b>Bearing</b> , crankshaft main (STD)	
28	7057170	AR	<b>Bearing</b> , crankshaft main (.002 US)	
28	7057180	AR	<b>Bearing</b> , crankshaft main (.010 US)	
28	7057190	AR	<b>Bearing</b> , crankshaft main (.020 US)	
29	R056001	1	<b>Ring</b> , crankshaft position sensor reductor (LH)	
29	R056001A	1	<b>Ring</b> , crankshaft position sensor reductor (RH)	xx-571x-xx, xx501x-xx

CYLINDER BLOCK ASSEMBLY - FIGURE 1 (cont'd)



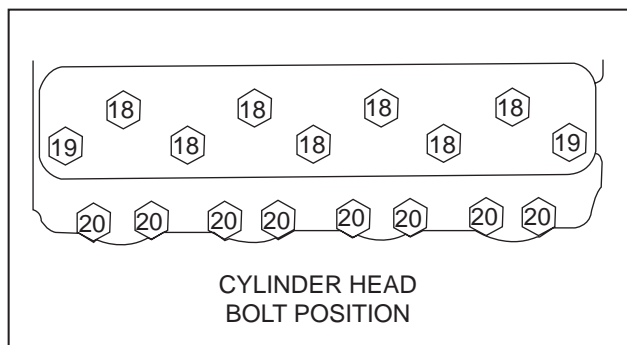
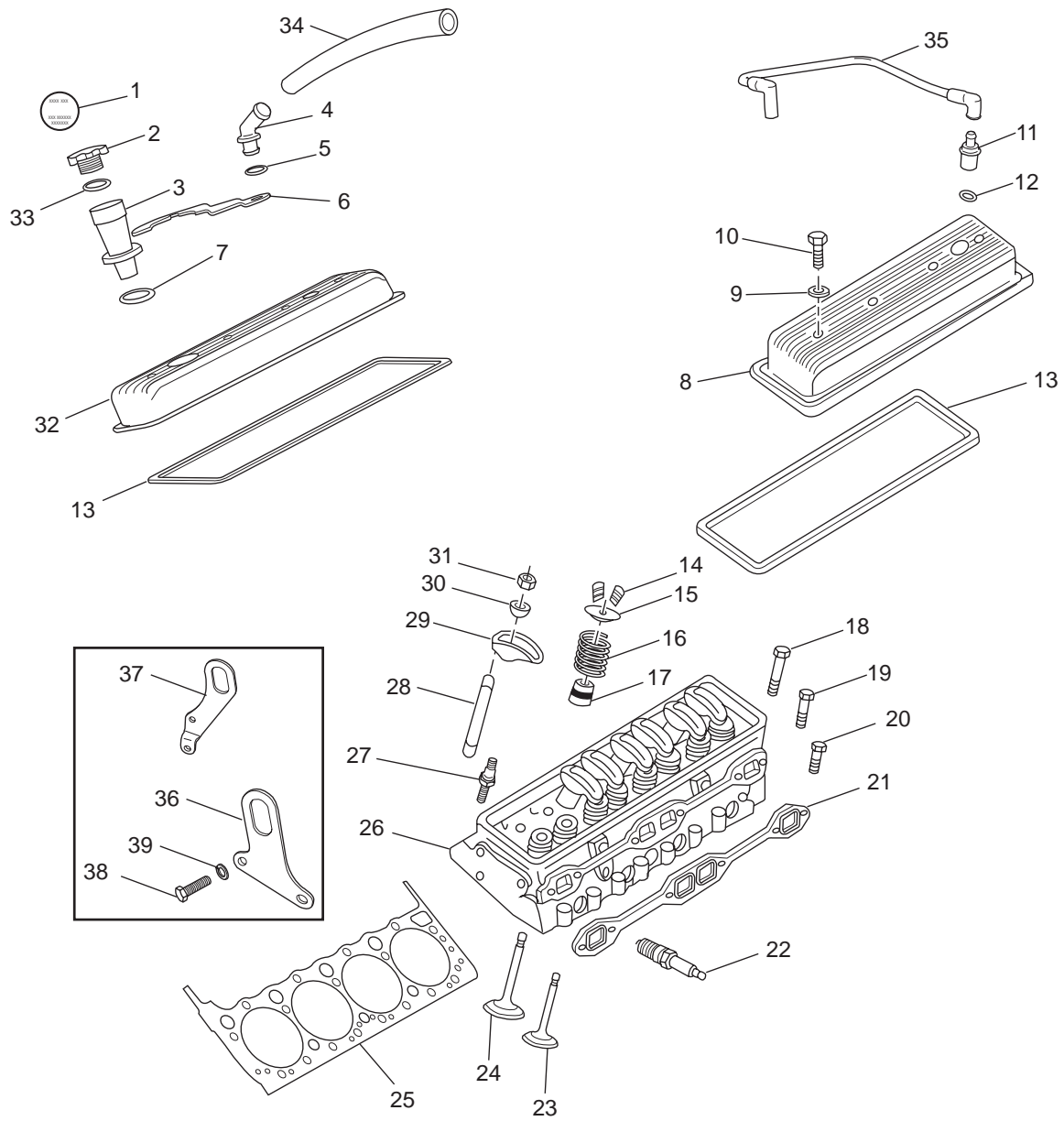
PC57B01112CR



## CYLINDER BLOCK ASSEMBLY - FIGURE 1 (cont'd)

ITEM	PART NO.	QTY.	DESCRIPTION	MODEL ID
30	R004010A	1	<b>Cover</b> , engine front cover (includes gasket and seal)	
31	R020038	1	<b>Sensor</b> , crankshaft position	
32	TBD	1	<b>Bolt</b> , crankshaft position sensor attaching	
33	RK007020	1	<b>Bearing Set</b> , crankshaft main (STD)	
34	R009091	1	<b>Bolt</b> , crankshaft balancer	
35	R096074	1	<b>Washer</b> , crankshaft balancer bolt	
36	R064010A	1	<b>Balancer</b> , crankshaft ('02 and newer)	
37	NSS	1	<b>Seal</b> , crankshaft front oil	
38	R009177	6	<b>Bolt</b> , engine front cover attaching, short	
38	R009176	2	<b>Bolt</b> , engine front cover attaching, long	
39	NSS	1	<b>Gasket</b> , engine front cover	
40	R054024	1	<b>Sprocket</b> , crankshaft	
41	R164024	2	<b>Key</b> , crankshaft balancer	
42	RK051030	1	<b>Bearing Set</b> , camshaft	
42	7050630	1	<b>Cam Bearing #1</b>	
42	7050640	2	<b>Cam Bearing #2 &amp; #5</b>	
42	7050650	2	<b>Cam Bearing #3 &amp; #4</b>	
43	R022022	1	<b>Pin</b> , camshaft sprocket locating	
44	30698	1	<b>Bolt</b> , camshaft sprocket attaching	
45	R055011	1	<b>Chain</b> , camshaft timing	
46	R054041	1	<b>Sprocket</b> , camshaft	
47	7070700	2	<b>Bolt</b> , camshaft retaining	
48	R109050	1	<b>Retainer</b> , camshaft	
49	RA050021	1	<b>Camshaft</b> , engine (LH)	
49	RA050022	1	<b>Camshaft</b> , engine (RH)	xx-571x-xx, xx501x-xx
50	7050740	1	<b>Plug</b> , oil gallery	
51	NSS	1	<b>Block</b> , engine	
52	R090253A	1	<b>Retainer</b> , valve lifter	
53	RS0279	3	<b>Bolt</b> , valve lifter retainer	
54	RM0203	2	<b>Gasket</b> , water pump to engine block	
55	RA057027	1	<b>Water Pump Assembly</b>	
56	R095026	1	<b>Stud</b> , water pump attaching	
57	RS0307	1	<b>Bolt</b> , water pump attaching	
58	90305275	1	<b>Bolt</b> , water pump attaching	
59	R095026	1	<b>Stud</b> , water pump attaching	
60	R020027	1	<b>Sensor</b> , knock	
61	98144	1	<b>Plug</b> , block, dipstick (305/350)	
62	R006017A	1	<b>Crankshaft</b> , 350 1996/Later	
NI	R069066	8	<b>Plug</b> , Brass, block 1 5/8"	

CYLINDER HEAD ASSEMBLY - FIGURE 2

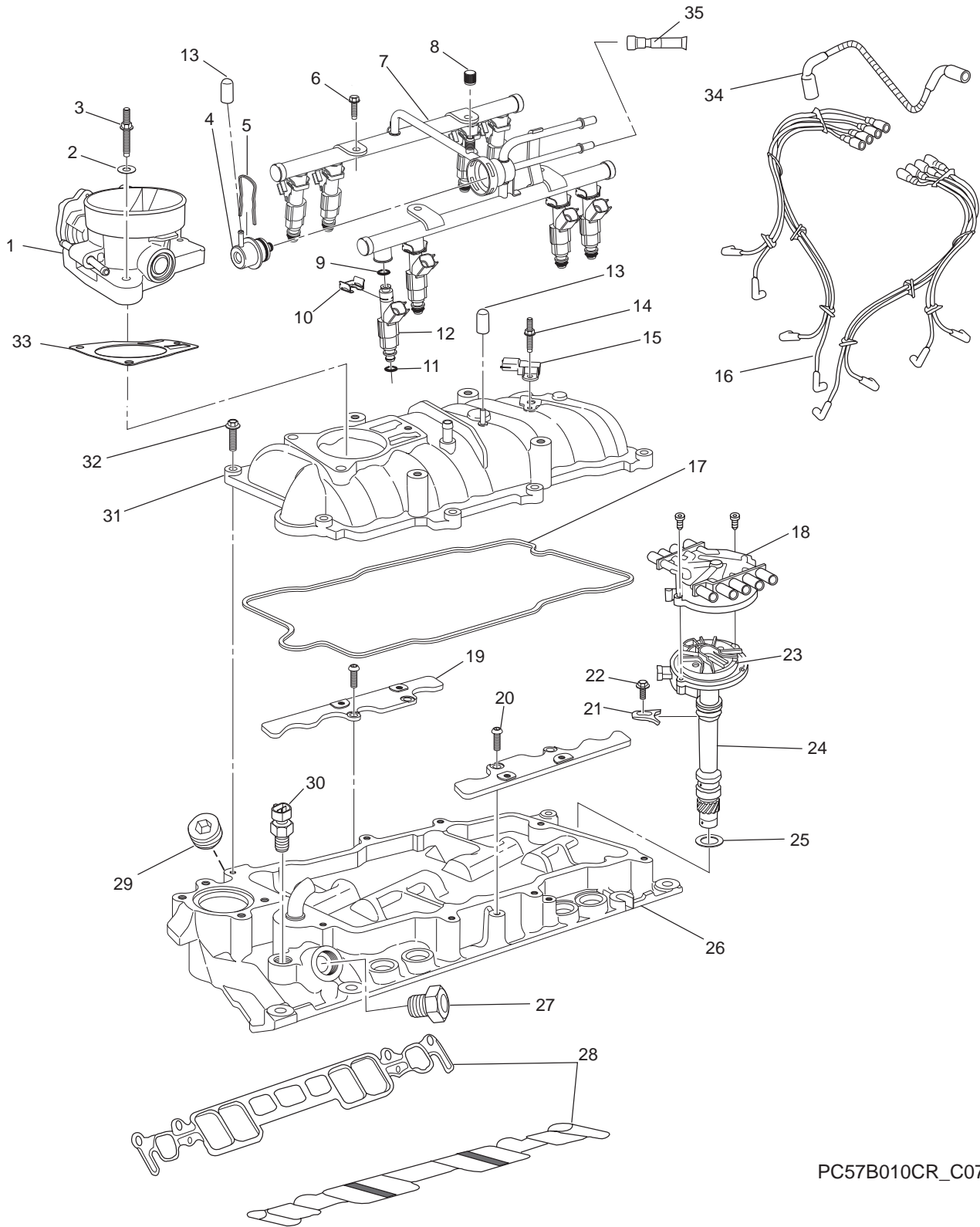


PC57B009CR-07

## CYLINDER HEAD ASSEMBLY - FIGURE 2

ITEM	PART NO.	QTY.	DESCRIPTION	MODEL ID
1	R143137	1	<b>Decal</b> , oil fill riser cap	
2	R034037	1	<b>Cap</b> , oil fill riser	
3	R034048	1	<b>Riser</b> , oil fill	
4	R024013C	1	<b>Elbow</b> , breather tube	
5	R094002	1	<b>Grommet</b> , breather tube elbow	
6	R127098	1	<b>Retainer</b> , oil fill riser	
7	R047228	1	<b>Grommet</b> , oil fill riser	
8	R033008A	1	<b>Cover</b> , rocker (left side)	
9	98009	8	<b>Washer</b> , rocker cover retaining bolt	
10	7231510	8	<b>Bolt</b> , rocker cover retaining	
11	R035015	1	<b>Valve</b> , positive crankcase ventilation	
12	R094015	1	<b>Grommet</b> , pcv valve	
13	RM0193	2	<b>Gasket</b> , rocker cover	
14	R049012	32	<b>Retainer</b> , valve stem	
15	R049015	16	<b>Cap</b> , valve spring	
16	R046050	16	<b>Valve Spring Assembly</b>	
17	R047238	8	<b>Seal</b> , valve stem (intake)	
17	R047239	8	<b>Seal</b> , valve stem (exhaust)	
18	R009168	14	<b>Bolt</b> , cylinder head to engine block (long)	
19	7057300	4	<b>Bolt</b> , cylinder head to engine block (medium)	
20	7057280	16	<b>Bolt</b> , cylinder head to engine block (short)	
21	96306	2	<b>Gasket</b> , exhaust manifold	
22	R030010	8	<b>Spark Plug</b>	
23	R043035	8	<b>Valve</b> , (intake)	
24	R043036	8	<b>Valve</b> , (exhaust)	
25	RM0195	2	<b>Gasket</b> , cylinder head	
26	R003007B	2	<b>Cylinder Head Assembly (5.0L)</b>	
26	R003008B	2	<b>Cylinder Head Assembly (5.7L)</b>	
27	R095034	16	<b>Stud</b> , valve rocker arm	
27	7230920	AR	<b>Stud</b> , valve rocker arm (.013 OS)	
27	R095035	AR	<b>Stud</b> , valve rocker arm (.033 OS)	
28	R039023	16	<b>Push Rod</b>	
29	R038015	16	<b>Rocker Arm</b> , valve	
30	R038011	16	<b>Ball</b> , rocker arm	
31	R017069	16	<b>Nut</b> , rocker arm attaching	
32	R033008	1	<b>Cover</b> , rocker (right side)	
33	R047228	1	<b>O-Ring</b> , oil fill riser cap	
34	20806	1	<b>Hose</b> , breather	
35	R045176	1	<b>Tube</b> , PCV	
36	R042015	1	<b>Bracket</b> , lift ring (front)	
37	R042014	1	<b>Bracket</b> , lift ring (rear)	
38	RS0304	3	<b>Bolt</b> , lift ring attaching	
39	RS2180	3	<b>Lockwasher</b> , lift ring attaching	

INTAKE MANIFOLD ASSEMBLY - SN 670001 through 671343 - FIGURE 3

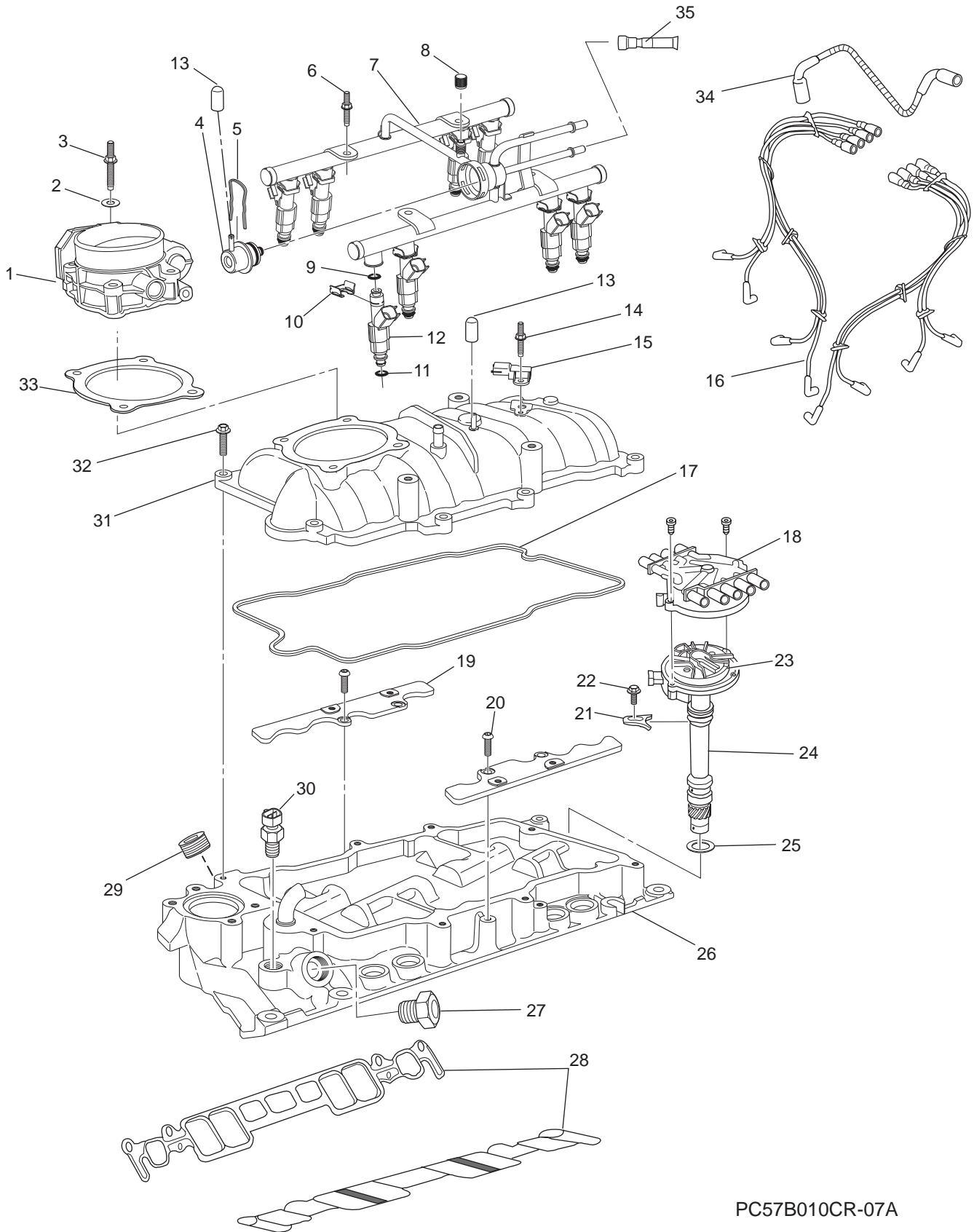


PC57B010CR\_C07

## INTAKE MANIFOLD ASSEMBLY - SN 670001 through 671343 - FIGURE 3

ITEM	PART NO.	QTY.	DESCRIPTION	MODEL ID
1	RA035041	1	<b>Throttle Body Assembly, DBW</b>	
2	NSS	3	<b>Washer</b> , throttle body attaching stud	
3	R095040	3	<b>Stud</b> , throttle body attaching	
4	R088002	1	<b>Regulator</b> , fuel pressure	
5	TBD	1	<b>Retainer</b> , fuel pressure regulator	
6	98222018	1	<b>Bolt</b> , fuel rail attaching	
7	RA086002	1	<b>Fuel Rail Assembly</b>	
8	TBD	1	<b>Cap</b> , fuel pressure service port	
9	NSS	8	<b>O-Ring</b> , fuel injector (top)	
10	TBD	8	<b>Clip</b> , fuel injector retaining	
11	NSS	8	<b>O-Ring</b> , fuel injector (bottom)	
12	RA087007	8	<b>Fuel Injector Assembly</b>	
13	R128003	2	<b>Cover</b> , vacuum port	
14	R095041	1	<b>Stud</b> , MAP sensor attaching	
15	R020039	1	<b>Sensor</b> , manifold absolute pressure	
16	RK120018A	1	<b>Spark Plug Wire Set</b>	
16	RK120020	1	<b>Spark Plug Wire Set (RH)</b>	xx-571x-xx, xx-501x-xx
17	RM0271	1	<b>Gasket</b> , upper intake manifold to lower	
18	RA108009	1	<b>Cap</b> , distributor	
19	NSS	2	<b>Plate</b> , component attaching	
20	TBD	4	<b>Bolt</b> , component attaching plate attaching	
21	R127026A	1	<b>Hold Down</b> , distributor	
22	R009193	1	<b>Bolt</b> , distributor hold down	
23	R103011	1	<b>Rotor</b> , distributor	
24	RA107044	1	<b>Distributor Assembly (LH)</b>	
24	RA107045	1	<b>Distributor Assembly (RH)</b>	xx-571x-xx, xx-501x-xx
25	RM0123	1	<b>Gasket</b> , distributor assembly	
26	R002023	1	<b>Intake Manifold</b> , lower	
27	R069069	1	<b>Plug</b> , intake manifold	
28	RM0250	2	<b>Gasket</b> , intake manifold	
29	444705	1	<b>Plug</b> , coolant port	
30	R020019	1	<b>Sensor</b> , engine coolant temperature	
31	R002024	1	<b>Intake Manifold</b> , upper	
32	TBD	8	<b>Bolt</b> , upper intake manifold to lower attaching	
33	RM0251	1	<b>Gasket</b> , throttle body to upper manifold	
34	RA120018	1	<b>Coil Wire</b> , Ignition (red)	
35	RK085011	1	<b>Blockoff</b> , fuel line, fuel rail rtn	07-570V-01, 07-570V-02

INTAKE MANIFOLD ASSEMBLY - SN 671344 and Above - FIGURE 4

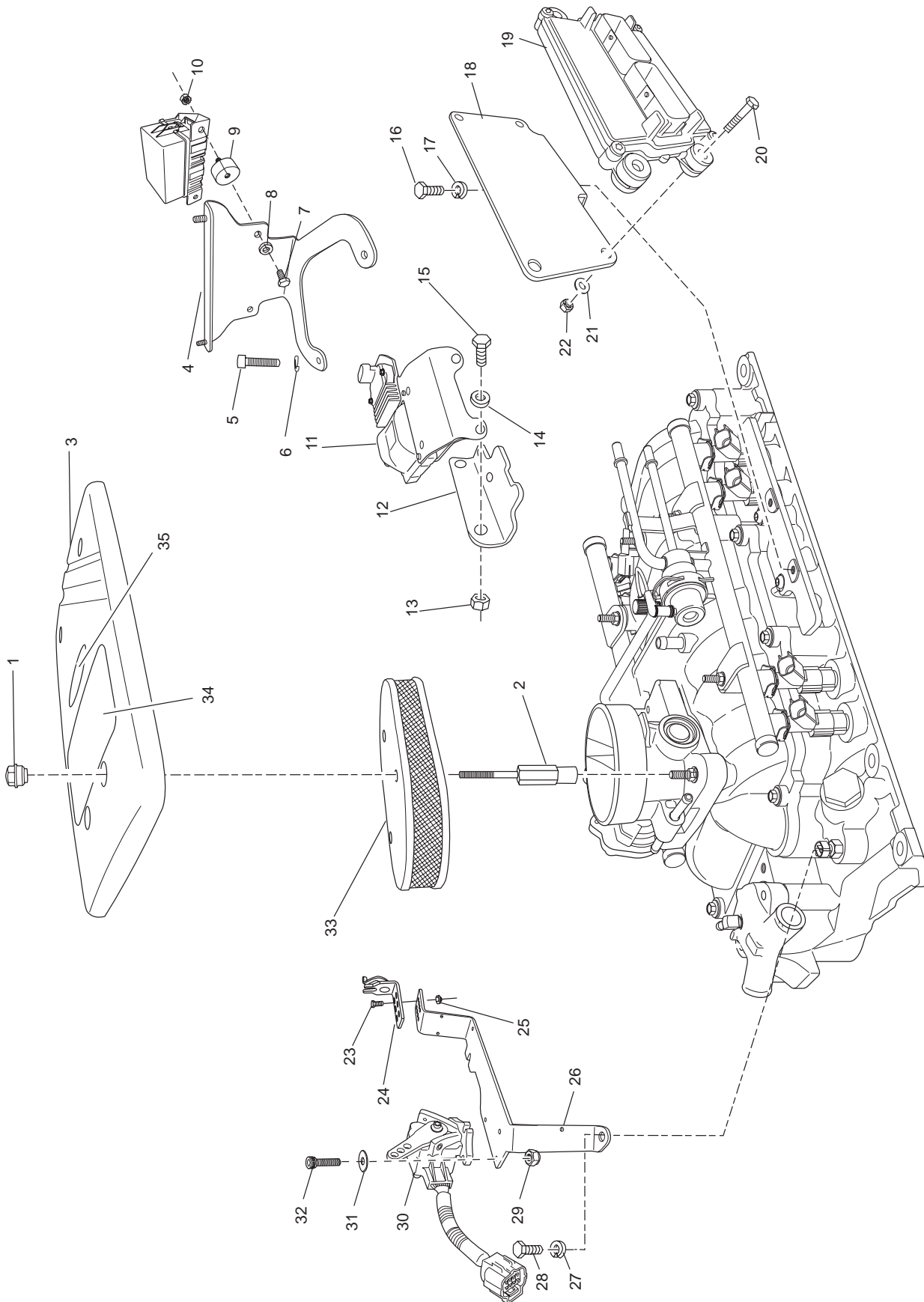


PC57B010CR-07A

## INTAKE MANIFOLD ASSEMBLY - SN 671344 and Above - FIGURE 4

ITEM	PART NO.	QTY.	DESCRIPTION	MODEL ID
1	TBD	1	<b>Throttle Body Assembly, 4-Bolt - DBW</b>	
2	NSS	3	<b>Washer</b> , throttle body attaching stud	
3	R095040	3	<b>Stud</b> , throttle body attaching	
4	R088002	1	<b>Regulator</b> , fuel pressure	
5	TBD	1	<b>Retainer</b> , fuel pressure regulator	
6	98222018	1	<b>Bolt</b> , fuel rail attaching	
7	RA086002	1	<b>Fuel Rail Assembly</b>	
8	TBD	1	<b>Cap</b> , fuel pressure service port	
9	NSS	8	<b>O-Ring</b> , fuel injector (top)	
10	TBD	8	<b>Clip</b> , fuel injector retaining	
11	NSS	8	<b>O-Ring</b> , fuel injector (bottom)	
12	RA087007	8	<b>Fuel Injector Assembly</b>	
13	R128003	2	<b>Cover</b> , vacuum port	
14	R095041	4	<b>Stud</b> , fuel rail and MAP sensor attaching	
15	R020039	1	<b>Sensor</b> , manifold absolute pressure	
16	RK120018A	1	<b>Spark Plug Wire Set</b>	
16	RK120020	1	<b>Spark Plug Wire Set (RH)</b>	xx-571x-xx, xx-501x-xx
17	RM0271	1	<b>Gasket</b> , upper intake manifold to lower	
18	RA108009	1	<b>Cap</b> , distributor	
19	NSS	2	<b>Plate</b> , component attaching	
20	TBD	4	<b>Bolt</b> , component attaching plate attaching	
21	R127026A	1	<b>Hold Down</b> , distributor	
22	R009193	1	<b>Bolt</b> , distributor hold down	
23	R103011	1	<b>Rotor</b> , distributor	
24	RA107044	1	<b>Distributor Assembly (LH)</b>	
24	RA107045	1	<b>Distributor Assembly (RH)</b>	xx-571x-xx, xx-501x-xx
25	RM0123	1	<b>Gasket</b> , distributor assembly	
26	R002023	1	<b>Intake Manifold</b> , lower	
27	R069069	1	<b>Plug</b> , intake manifold	
28	RM0250	2	<b>Gasket</b> , intake manifold	
29	444705	1	<b>Plug</b> , 1/2" NPT, hex socket, Brass	
30	R020019	1	<b>Sensor</b> , engine coolant temperature	
31	TBD	1	<b>Intake Manifold</b> , upper	
32	TBD	8	<b>Bolt</b> , upper intake manifold to lower attaching	
33	TBD	1	<b>Gasket</b> , throttle body to upper manifold	
34	RA120018	1	<b>Coil Wire</b> , Ignition (red)	
35	RK085011	1	<b>Blockoff</b> , fuel line, fuel rail rtn	07-570V-01, 07-570V-02

INTAKE MANIFOLD COMPONENTS - SN 670001 through 671343 - FIGURE 5



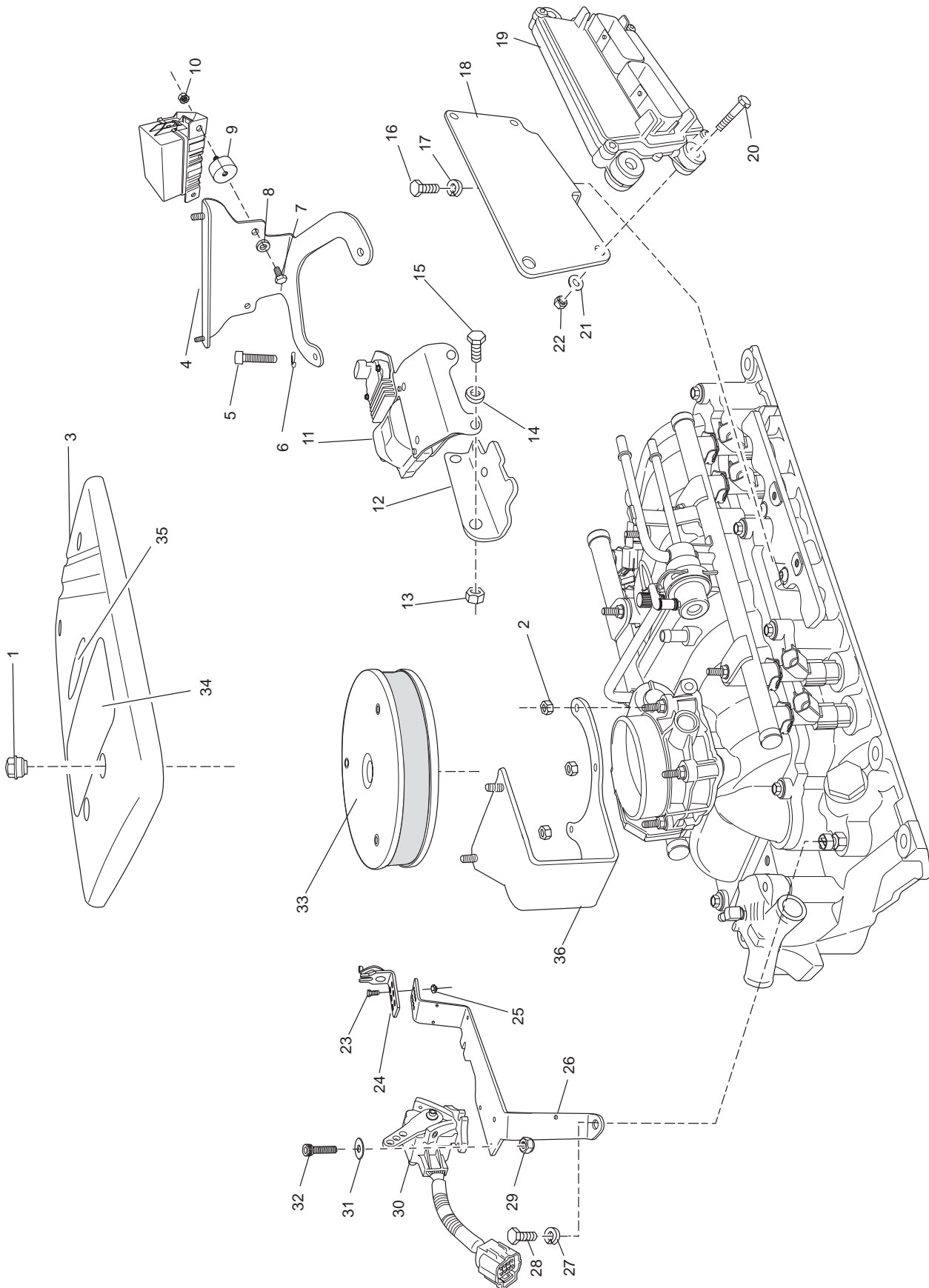
PC57B008CR\_07



## INTAKE MANIFOLD COMPONENTS - SN 670001 through 671343 - FIGURE 5

ITEM	PART NO.	QTY.	DESCRIPTION	MODEL ID
1	R009194	4	<b>Nut</b> , engine cover attaching	
2	R095038	2	<b>Stud</b> , flame arrestor/engine cover attaching	
3	R060059	1	<b>Cover</b> , engine	
4	R090259	1	<b>Bracket</b> , engine cover mounting	
5	RS6257	2	<b>Bolt</b> , engine cover bracket attaching	
6	93920000	2	<b>Lockwasher</b> , engine cover bracket attaching	
7	RS0251	2	<b>Bolt</b> , Isolator attaching	
8	RS2178	2	<b>Lockwasher</b> , Isolator attaching	
9	R094044	2	<b>Isolator</b> , fuse block mounting	
10	RS1078	2	<b>Nut</b> , KEPS, Fuse Block attaching	
11	RA117011	1	<b>Ignition Coil/Module Assembly</b>	
12	R090249	1	<b>Bracket</b> , ignition coil/module assembly mounting	
13	RS2058	2	<b>Nut</b> , attaching	
14	92100000	2	<b>Washer</b> , attaching	
15	RS0254	2	<b>Bolt</b> , attaching	
16	98223016	2	<b>Bolt</b> , bracket attaching	
17	93920000	2	<b>Lockwasher</b> , bracket attaching	
18	R090327	1	<b>Bracket</b> , ECM/relay mounting	
18	R090250	1	<b>Bracket</b> , ECM/relay mounting (NI: see pages 18-19)	07-570V-01, 07-570V-02
19	R116023 -5G01	1	<b>Engine Control Module (5.0L - LH)</b> (ALL fuel systems, SS) cksum -	
19	R116023 -5G02	1	<b>Engine Control Module (5.0L - LH)</b> (ALL fuel systems, DS) cksum -	24-500V-01, 24-500V-02
19	R116023 -5G03	1	<b>Engine Control Module (5.0L - RH)</b> (ALL fuel systems, SS) cksum -	
19	R116023 -5G04	1	<b>Engine Control Module (5.0L - RH)</b> (ALL fuel systems, DS) cksum -	
19	R116023 -5A01	1	<b>Engine Control Module (5.7L - LH)</b> (ALL fuel systems, SS) cksum -	
19	R116023 -5A02	1	<b>Engine Control Module (5.7L - LH)</b> (ALL fuel systems, DS) cksum -	24-570V-01, 24-570V-02, 28-570-01
19	R116023 -5A03	1	<b>Engine Control Module (5.7L - RH)</b> (ALL fuel systems, SS) cksum -	
19	R116023 -5A04	1	<b>Engine Control Module (5.7L - RH)</b> (ALL fuel systems, DS) cksum -	
20	98223035	4	<b>Bolt</b> , ECM attaching	
21	RS2672	4	<b>Flat washer</b> , ECM attaching	
22	97220060	4	<b>Nut</b> , KEPS, ECM attaching	
23	RS512	2	<b>Bolt</b> , cable clip mounting	
24	R090086	1	<b>Attaching Clip</b> , throttle cable (single)	
25	RS2055	2	<b>Locking Nut</b> , cable clip mounting bolt	
26	R090320A	1	<b>Throttle/TCP Bracket</b>	
26	R090320	1	<b>Throttle/TCP Bracket (NI: see pages 18-19)</b>	07-570V-01, 07-570V-02
27	RS2179	2	<b>Lockwasher</b> , housing attaching	
28	98333040	2	<b>Bolt</b> , thermostat housing attaching	
29	RS2052	3	<b>Nut</b> , TCP Sensor Assembly attaching	
30	RA119005	1	<b>Throttle Control Position (TCP) Sensor Assembly</b>	
31	92004000	3	<b>Washer</b> , flat, TCP Sensor Assembly attaching	
32	91864075	3	<b>Bolt</b> , TCP Sensor Assembly attaching	
33	R145025A	1	<b>Flame Arrestor</b>	
NI	R143090	1	<b>Decal</b> , flame arrestor	
34	R143130	1	<b>Decal</b> , "Captain's Choice"	
34	R143130A	1	<b>Decal</b> , "Crusader Engines"	
35	R143140	1	<b>Decal</b> , "5.7 MPI" silver/red	

INTAKE MANIFOLD COMPONENTS SN 671344 and higher - FIGURE 6

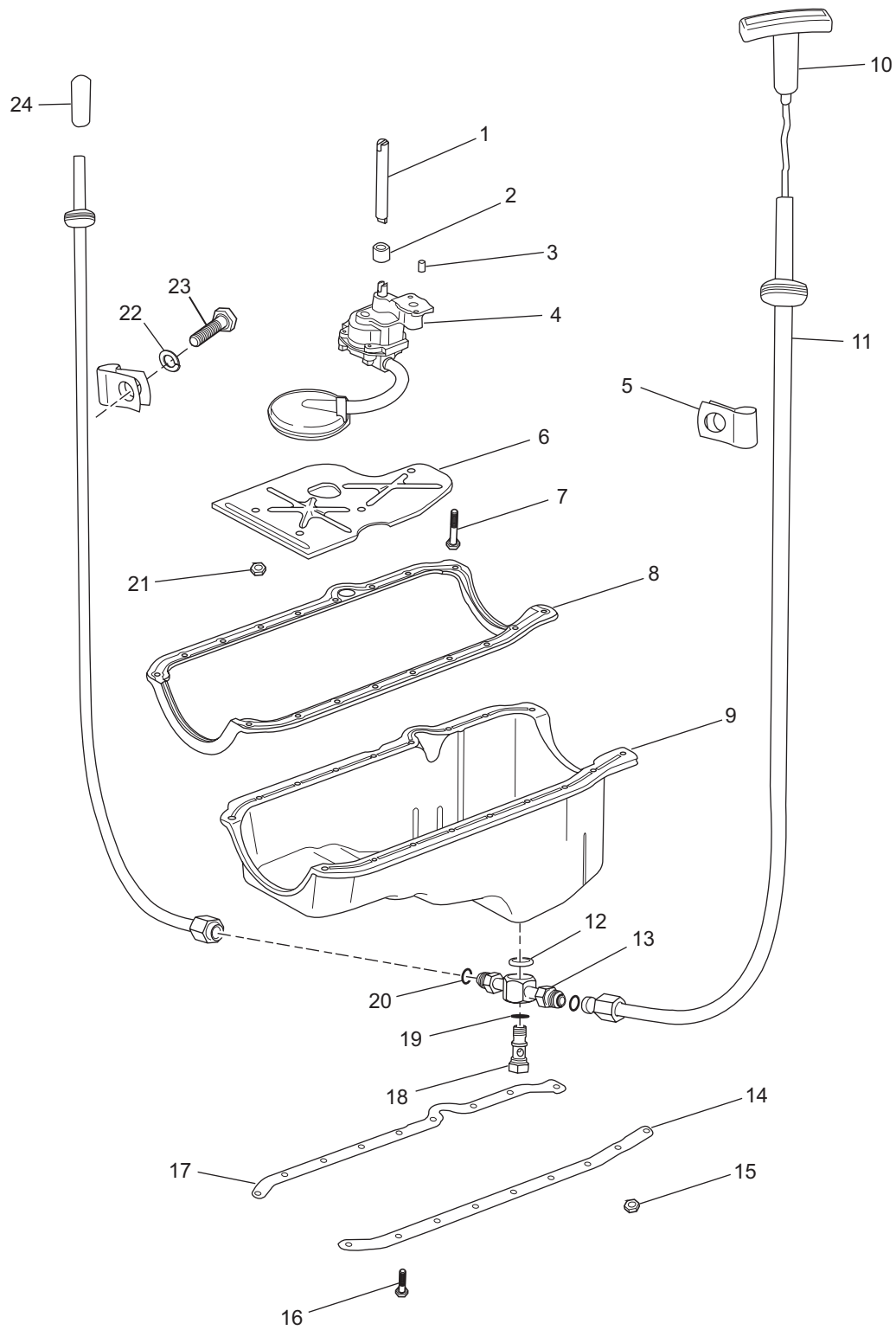


PC57B008CR\_07A

## INTAKE MANIFOLD COMPONENTS SN 671344 and higher - FIGURE 6

ITEM	PART NO.	QTY.	DESCRIPTION	MODEL ID
1	R009194	4	<b>Nut</b> , engine cover attaching	
2	97224300	3	<b>Nut</b> , Nylock, bracket attaching	
3	R060059	1	<b>Cover</b> , engine	
4	R090259	1	<b>Bracket</b> , engine cover mounting	
5	RS6257	2	<b>Bolt</b> , engine cover bracket attaching	
6	93920000	2	<b>Lockwasher</b> , engine cover bracket attaching	
7	RS0251	2	<b>Bolt</b> , Isolator attaching	
8	RS2178	2	<b>Lockwasher</b> , Isolator attaching	
9	R094044	2	<b>Isolator</b> , fuse block mounting	
10	RS1078	2	<b>Nut</b> , KEPS, Fuse Block attaching	
11	RA117011	1	<b>Ignition Coil/Module Assembly</b>	
12	R090249	1	<b>Bracket</b> , ignition coil/module assembly mounting	
13	RS2058	2	<b>Nut</b> , attaching	
14	92100000	2	<b>Washer</b> , attaching	
15	RS0254	2	<b>Bolt</b> , attaching	
16	98223016	2	<b>Bolt</b> , bracket attaching	
17	93920000	2	<b>Lockwasher</b> , bracket attaching	
18	R090327	1	<b>Bracket</b> , ECM/relay mounting	
18	R090250	1	<b>Bracket</b> , ECM/relay mounting (NI: see pages 18-19)	07-570V-01, 07-570V-02
19	R116023 -5G01	1	<b>Engine Control Module (5.0L - LH)</b> (ALL fuel systems, SS) cksum -	
19	R116023 -5G02	1	<b>Engine Control Module (5.0L - LH)</b> (ALL fuel systems, DS) cksum -	24-500V-01, 24-500V-02
19	R116023 -5G03	1	<b>Engine Control Module (5.0L - RH)</b> (ALL fuel systems, SS) cksum -	
19	R116023 -5G04	1	<b>Engine Control Module (5.0L - RH)</b> (ALL fuel systems, DS) cksum -	
19	R116023 -5A01	1	<b>Engine Control Module (5.7L - LH)</b> (ALL fuel systems, SS) cksum -	
19	R116023 -5A02	1	<b>Engine Control Module (5.7L - LH)</b> (ALL fuel systems, DS) cksum -	24-570V-01, 24-570V-02, 28-570-01
19	R116023 -5A03	1	<b>Engine Control Module (5.7L - RH)</b> (ALL fuel systems, SS) cksum -	
19	R116023 -5A04	1	<b>Engine Control Module (5.7L - RH)</b> (ALL fuel systems, DS) cksum -	
20	98223035	4	<b>Bolt</b> , ECM attaching	
21	RS2672	4	<b>Flat washer</b> , ECM attaching	
22	97220060	4	<b>Nut</b> , KEPS, ECM attaching	
23	RS512	2	<b>Bolt</b> , cable clip mounting	
24	R090086	1	<b>Attaching Clip</b> , throttle cable (single)	
25	RS2055	2	<b>Locking Nut</b> , cable clip mounting bolt	
26	R090320A	1	<b>Throttle/TCP Bracket</b>	
26	R090320	1	<b>Throttle/TCP Bracket (NI: see pages 18-19)</b>	07-570V-01, 07-570V-02
27	RS2179	2	<b>Lockwasher</b> , housing attaching	
28	98333040	2	<b>Bolt</b> , thermostat housing attaching	
29	RS2052	3	<b>Nut</b> , TCP Sensor Assembly attaching	
30	RA119005	1	<b>Throttle Control Position (TCP) Sensor Assembly</b>	
31	92004000	3	<b>Washer</b> , flat, TCP Sensor Assembly attaching	
32	91864075	3	<b>Bolt</b> , TCP Sensor Assembly attaching	
33	R145027	1	<b>Flame Arrestor</b>	
NI	R143090	1	<b>Decal</b> , flame arrestor	
34	R143130	1	<b>Decal</b> , "Captain's Choice"	
34	R143130A	1	<b>Decal</b> , "Crusader Engines"	
35	R143140	1	<b>Decal</b> , "5.7 MPI" silver/red	
36	R090349	1	<b>Bracket</b> , engine cover mounting, front	

OIL PAN and OIL PUMP ASSEMBLY - FIGURE 7

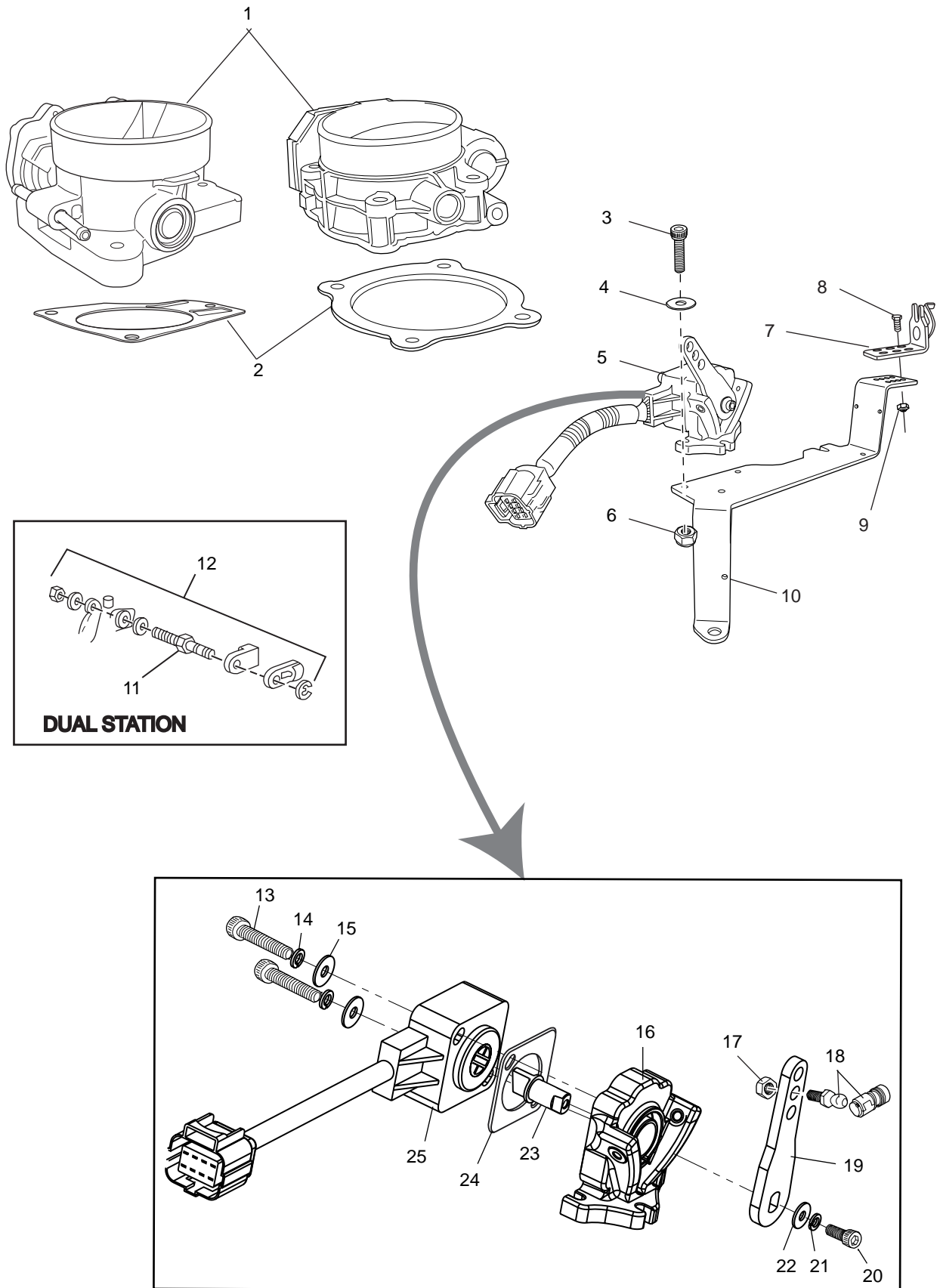


PC57B024CR

## OIL PAN and OIL PUMP ASSEMBLY - FIGURE 7

ITEM	PART NO.	QTY.	DESCRIPTION	MODEL ID
1	R058054	1	<b>Shaft</b> , oil pump drive	
2	7100220	1	<b>Retainer</b> , oil pump drive shaft	
3	R022022	2	<b>Pin</b> , oil pump locating	
4	RA070010	1	<b>Oil Pump Assembly</b>	
5	R127015	2	<b>Clamp</b> , strap	
6	R012028	1	<b>Deflector</b> , crankshaft oil	
7	7100250	1	<b>Bolt</b> , oil pump	
8	RM0249	1	<b>Gasket</b> , oil pan	
9	R005011	1	<b>Oil Pan</b> , stamped	
9	97920	1	<b>Oil Pan</b> , cast (not shown)	
10	R041073	1	<b>Dipstick</b> , oil level (0-4 degree)	
10	R041074	AR	<b>Dipstick</b> , oil level (12 degree)	
10	R041075	AR	<b>Dipstick</b> , oil level (V-drive)	
11	R041078	2	<b>Tube</b> , oil level dipstick	
12	23535	1	<b>O-ring</b> , oil pan dipstick tube fitting	
13	98432	1	<b>Fitting</b> , oil pan dipstick tube	
14	7090440	1	<b>Reinforcement</b> , oil pan (LH)	
15	95200010	4	<b>Nut</b> , oil pan	
16	R009157	14	<b>Bolt</b> , oil pan	
17	7090450	1	<b>Reinforcement</b> , oil pan (RH)	
18	98466	1	<b>Bolt</b> , oil pan dipstick tube fitting	
19	NSS	1	<b>O-ring</b> , oil pan dipstick tube fitting bolt	
20	NSS	2	<b>O-ring</b> , oil pan dipstick tube	
21	7050360	5	<b>Nut</b> , crankshaft oil deflector	
22	RS2180	2	<b>Lockwasher</b> , strap clamp	
23	RS0302	2	<b>Bolt</b> , strap clamp	
24	45343	1	<b>Cap</b> , oil pan dipstick tube	
			<b>“CAST OIL PAN”</b>	
NI	RS3551	2	<b>Pipe Plug</b> , HX SOC Brass 3/8", port and fwd	
NI	30615	1	<b>Fitting</b> , oil pan dipstick tube, 45°, brass, stbd	
NI	98350	1	<b>Tube</b> , dipstick, 0°	
NI	98351	AR	<b>Tube</b> , dipstick, 4°	
NI	98352	AR	<b>Tube</b> , dipstick, 12°	
NI	98283	1	<b>Dipstick</b> , oil level	
NI	90245200	2	<b>Bolt</b> , oil pan, 5/16-18 X 2", front	
NI	90245150	2	<b>Bolt</b> , oil pan, 5/16-18 X 1-1/2", rear	
NI	RS2179	4	<b>Lockwasher</b> , oil pan, 5/16"	
NI	90105175	4	<b>Bolt</b> , oil pan, 1/4-20 X 1-3/4", port front	
NI	RS0258	8	<b>Bolt</b> , oil pan, 1/4-20 X 1-1/2", stbd, port rear	
NI	RS2178	12	<b>Lockwasher</b> , oil pan, 1/4"	

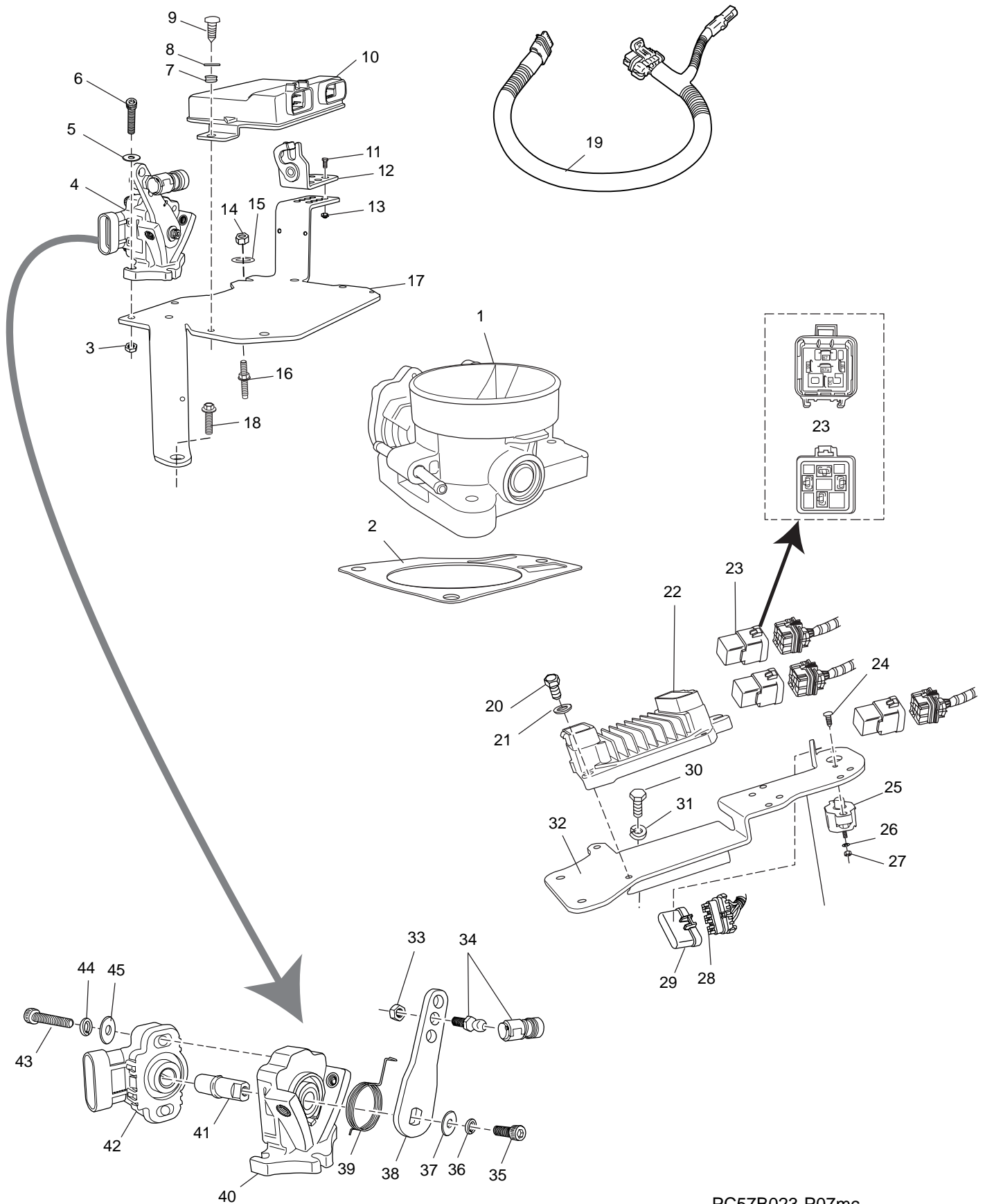
THROTTLE BODY and RELATED COMPONENTS - FIGURE 8



## THROTTLE BODY and RELATED COMPONENTS - FIGURE 8

ITEM	PART NO.	QTY.	DESCRIPTION	MODEL ID
1	RA035041	1	<b>Throttle Body Assembly, 3-bolt</b>	
1	TBD	1	<b>Throttle Body Assembly, 4-bolt</b> , SN 671344 and Above	
2	RM0251	1	<b>Gasket</b> , 3-bolt, throttle body to upper manifold	
2	TBD	1	<b>Gasket</b> , 4-bolt, TB to upper manifold, SN 671344 and Above	
3	91864075	3	<b>Bolt</b> , TCP Sensor Assembly attaching	
4	92004000	3	<b>Washer</b> , flat, TCP Sensor Assembly attaching	
5	RA119005	1	<b>Throttle Control Position (TCP) Sensor Assembly</b>	
6	RS2052	3	<b>Nut</b> , TCP Sensor Assembly attaching	
7	R090086	1	<b>Cable Clip</b> , throttle	
8	RS5122	2	<b>Bolt</b> , cable clip attaching	
9	RS2050	2	<b>Nut</b> , cable clip attaching	
10	R090320A	1	<b>Bracket</b> , TCP Assembly/Throttle Clip	
11	22978	AR	<b>Pivot Pin</b> , cable attaching (dual)	
12	23235	AR	<b>Cable Attaching Kit</b> , dual	
13	91064125	2	<b>Bolt</b> , TCP Sensor attaching	
14	93040000	2	<b>Lock Washer</b> , TCP Sensor attaching	
15	92004000	2	<b>Flat Washer</b> , TCP Sensor attaching	
16	R109053A	1	<b>Plate Assembly</b> , TCP Sensor	
17	RS1568	1	<b>Nut</b> , ball joint attaching	
18	R178003	1	<b>Ball Joint Assembly</b>	
19	R081009	1	<b>Arm</b> , TCP Sensor	
20	91864050	1	<b>Bolt</b> , TCP Sensor arm attaching	
21	94854500	1	<b>Lock Washer</b> , TCP Sensor arm attaching	
22	94004200	1	<b>Flat Washer</b> , TCP Sensor arm attaching	
23	R058071	1	<b>Shaft</b> , TCP Sensor	
24	R062090	1	<b>Spacer</b> , TCP support	
25	R119005	1	<b>TCP Sensor</b>	

MODEL 07-570V-01, 07-570V-02 THROTTLE BODY and RELATED COMPONENTS - FIGURE 9



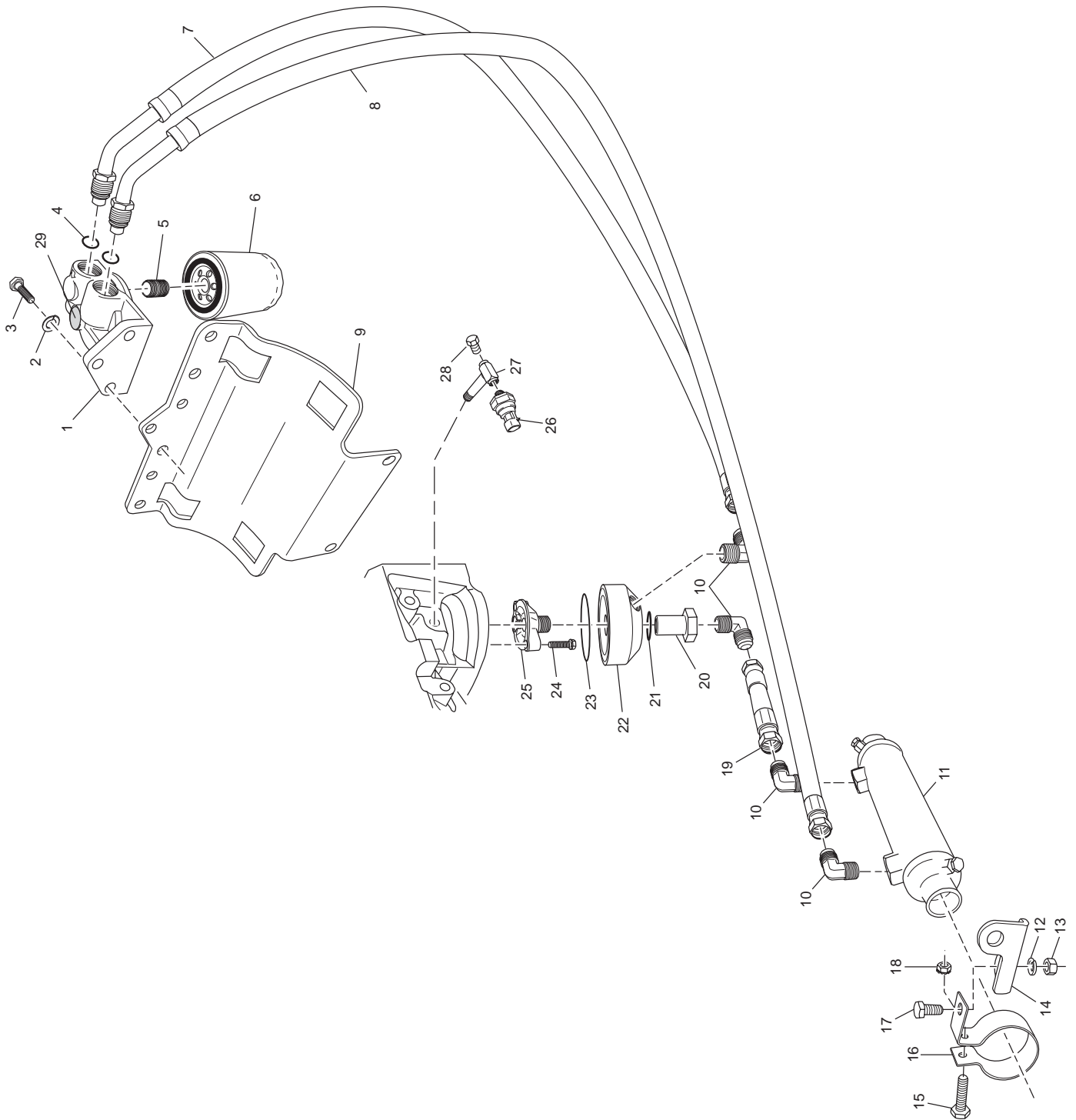
PC57B023-P07mc



## MODEL 07-570V-01, 07-570V-02 THROTTLE BODY and RELATED COMPONENTS - FIGURE 9

ITEM	PART NO.	QTY.	DESCRIPTION	MODEL ID
1	RA035041	1	<b>Throttle Body Assembly</b>	07-570V-01, 07-570V-02
2	RM0251	1	<b>Gasket</b> , throttle body to upper manifold	07-570V-01, 07-570V-02
3	RS2052	3	<b>Nut</b> , TCP Sensor attaching	07-570V-01, 07-570V-02
4	RA119004	1	<b>Throttle Control Position (TCP) Sensor Assembly</b>	07-570V-01, 07-570V-02
5	92004000	3	<b>Washer</b> , flat, TCP Sensor attaching	07-570V-01, 07-570V-02
6	91864075	3	<b>Bolt</b> , TCP Sensor attaching	07-570V-01, 07-570V-02
7	R094042	2	<b>Grommet</b> , TAC Module attaching	07-570V-01, 07-570V-02
8	R096142	2	<b>Washer</b> , flat, TAC Module attaching	07-570V-01, 07-570V-02
9	91087050	2	<b>Screw</b> , self-tapping, TAC Module attaching	07-570V-01, 07-570V-02
10	R116020	1	<b>Throttle Actuator Control (TAC) Module Assembly</b>	07-570V-01, 07-570V-02
11	RS5122	2	<b>Bolt</b> , cable clip attaching	07-570V-01, 07-570V-02
12	R090086	1	<b>Cable Clip</b> , throttle	07-570V-01, 07-570V-02
13	RS2050	2	<b>Nut</b> , cable clip attaching	07-570V-01, 07-570V-02
14	97224300	1	<b>Nut</b> , Nylok, TAC module bracket attaching	07-570V-01, 07-570V-02
15	92920000	1	<b>Washer</b> , flat, TAC module bracket attaching	07-570V-01, 07-570V-02
16	R095041	1	<b>Stud</b> , TAC module bracket (fuel rail) attaching	07-570V-01, 07-570V-02
17	R090320	1	<b>Bracket</b> , TAC Module	07-570V-01, 07-570V-02
18	TBD	1	<b>Bolt</b> , TAC module attaching (upper to lower intake attaching)	07-570V-01, 07-570V-02
19	R121086	1	<b>Harness</b> , TCP Sensor to TAC Module	07-570V-01, 07-570V-02
20	90105075	2	<b>Bolt</b> , ECM attaching	07-570V-01, 07-570V-02
21	RS2178	2	<b>Washer</b> , ECM attaching	07-570V-01, 07-570V-02
22	R1160211	1	<b>Engine Control Module (5.7L - LH)</b> cksum - 10384 (2890)	07-570V-01
22	TBD	1	<b>Engine Control Module (twin) (5.7L - LH)</b> cksum -	07-570V-02
23	R130011A	3	<b>Relay Assembly</b> (refer to diagram)	07-570V-01, 07-570V-02
24	RS5084	2	<b>Bolt</b> , circuit breaker mounting	07-570V-01, 07-570V-02
25	R153006C	1	<b>Circuit Breaker Assembly (60 amp)</b>	07-570V-01, 07-570V-02
NI	R143177	1	<b>Decal</b> , Circuit Breaker	07-570V-01, 07-570V-02
26	NSS	2	<b>Washer</b> , circuit breaker terminal	07-570V-01, 07-570V-02
27	NSS	2	<b>Nut</b> , circuit breaker terminal	07-570V-01, 07-570V-02
28	R153017B	3	<b>Fuses</b> , 20 amp	07-570V-01, 07-570V-02
29	R126014	1	<b>Cover</b> , fuse holder	07-570V-01, 07-570V-02
30	98223016	2	<b>Bolt</b> , bracket attaching	07-570V-01, 07-570V-02
31	93920000	2	<b>Lockwasher</b> , bracket attaching	07-570V-01, 07-570V-02
32	R090250	1	<b>Bracket</b> , ECM/relay mounting	07-570V-01, 07-570V-02
33	RS1568	1	<b>Nut</b> , ball joint attaching	07-570V-01, 07-570V-02
34	R178003	1	<b>Ball Joint Assembly</b>	07-570V-01, 07-570V-02
35	91874050	1	<b>Bolt</b> , TCP Sensor arm attaching	07-570V-01, 07-570V-02
36	94854500	1	<b>Lock Washer</b> , TCP Sensor arm attaching	07-570V-01, 07-570V-02
37	94804000	1	<b>Flat Washer</b> , TCP Sensor arm attaching	07-570V-01, 07-570V-02
38	R081009	1	<b>Arm</b> , TCP Sensor	07-570V-01, 07-570V-02
39	R046051	1	<b>Spring</b> , TCP Sensor	07-570V-01, 07-570V-02
40	R109053	1	<b>Plate Assembly</b> , TCP Sensor	07-570V-01, 07-570V-02
41	R058070	1	<b>Shaft</b> , TCP Sensor	07-570V-01, 07-570V-02
42	R119004	1	<b>TCP Sensor</b>	07-570V-01, 07-570V-02
43	91064100	2	<b>Bolt</b> , TCP Sensor attaching	07-570V-01, 07-570V-02
44	93040000	2	<b>Lock Washer</b> , TCP Sensor attaching	07-570V-01, 07-570V-02
45	92004000	2	<b>Flat Washer</b> , TCP Sensor attaching	07-570V-01, 07-570V-02

REMOTE OIL FILTER COMPONENTS - FIGURE 10

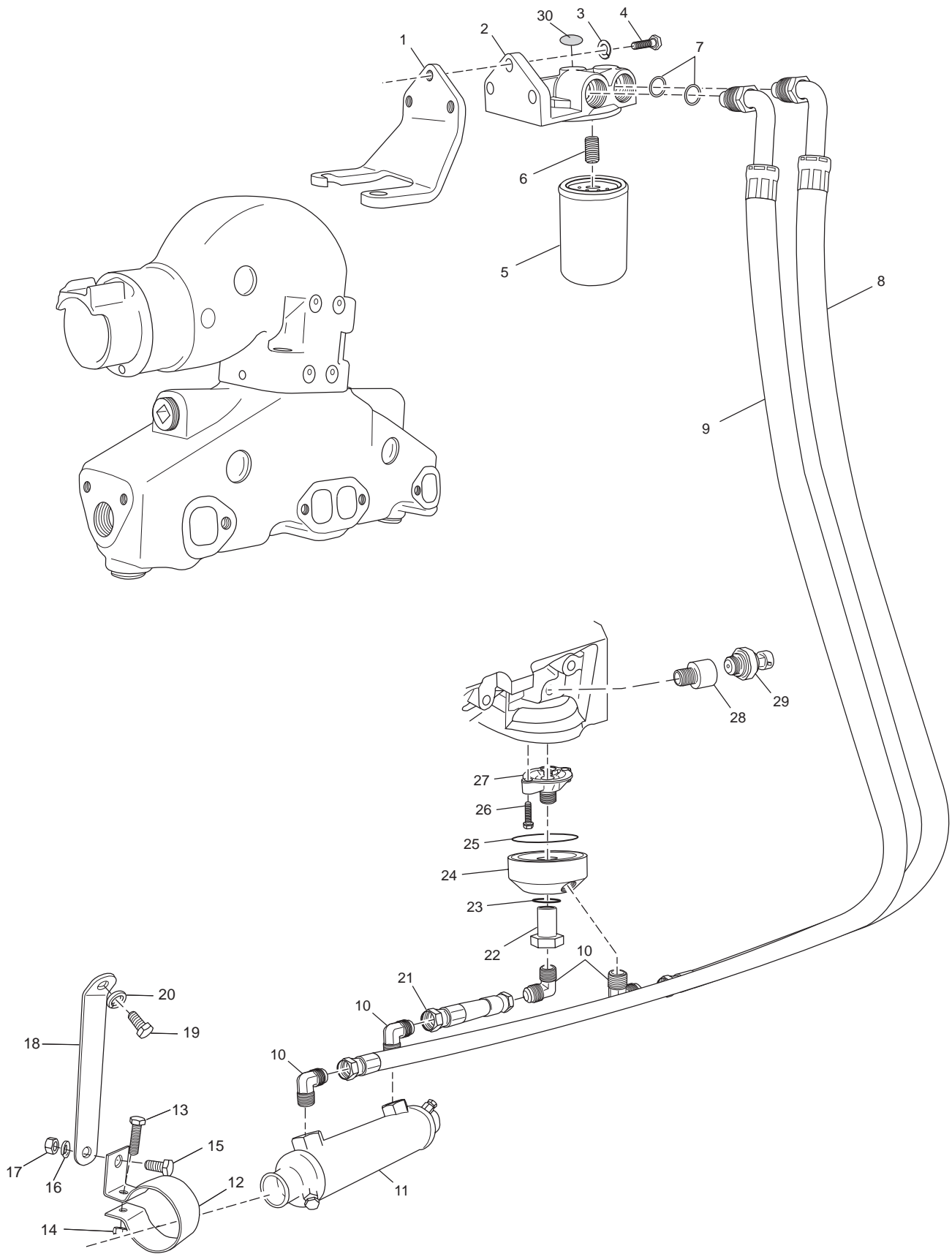


PC57B020CR\_07

## REMOTE OIL FILTER COMPONENTS - FIGURE 10

ITEM	PART NO.	QTY.	DESCRIPTION	MODEL ID
1	R079066	1	<b>Oil Filter Header</b>	
2	RS2179	3	<b>Lockwasher</b> , header mounting to brkt	
3	RS0280	3	<b>Bolt</b> , header mounting to brkt	
4	R047245	2	<b>O-Ring</b> , oil line	
5	R024203	1	<b>Nipple</b> , header filter adapter	
6	22679	1	<b>Filter</b> , oil	
7	RA045155B	1	<b>Hose Assembly</b> , filter header to bypass adapter	
8	RA045155A	1	<b>Hose Assembly</b> , cooler to filter header	
9	R090258	1	<b>Bracket</b> , ROF header mounting	
10	R024184	2	<b>Fitting</b> , 5/8SAE X 1/2NPT, 90 degree	
11	R147049	1	<b>Cooler</b> , oil	
12	RS2180	1	<b>Lockwasher</b> , oil cooler attaching	
13	RS1028	1	<b>Nut</b> , oil cooler attaching	
14	R090013A	1	<b>Bracket</b> , oil cooler attaching	
15	RS0256	1	<b>Bolt</b> , oil cooler mounting	
16	R090010	1	<b>Bracket</b> , oil cooler mounting	
17	RS0302	1	<b>Bolt</b> , oil cooler attaching	
18	RS2058	1	<b>Nut</b> , oil cooler mounting	
19	RA045103D	1	<b>Hose Assembly</b> , cooler to bypass adapter	
20	R017073	1	<b>Bolt</b> , oil bypass adapter	
21	R047203	1	<b>O-ring</b> , small	
22	R079051	1	<b>Adapter</b> , oil bypass adapter	
23	R047202	1	<b>O-ring</b> , large	
24	R009089	2	<b>Bolt</b> , oil adapter	
25	RA079028	1	<b>Adapter</b> , oil	
26	R020049	1	<b>Sender</b> , oil pressure	
27	R024205	1	<b>Tee</b> , sender attaching	
28	RS3554	1	<b>Plug</b> , oil pressure sensor tee	
29	R143175	1	<b>Decal</b> , "Caution Hot"	

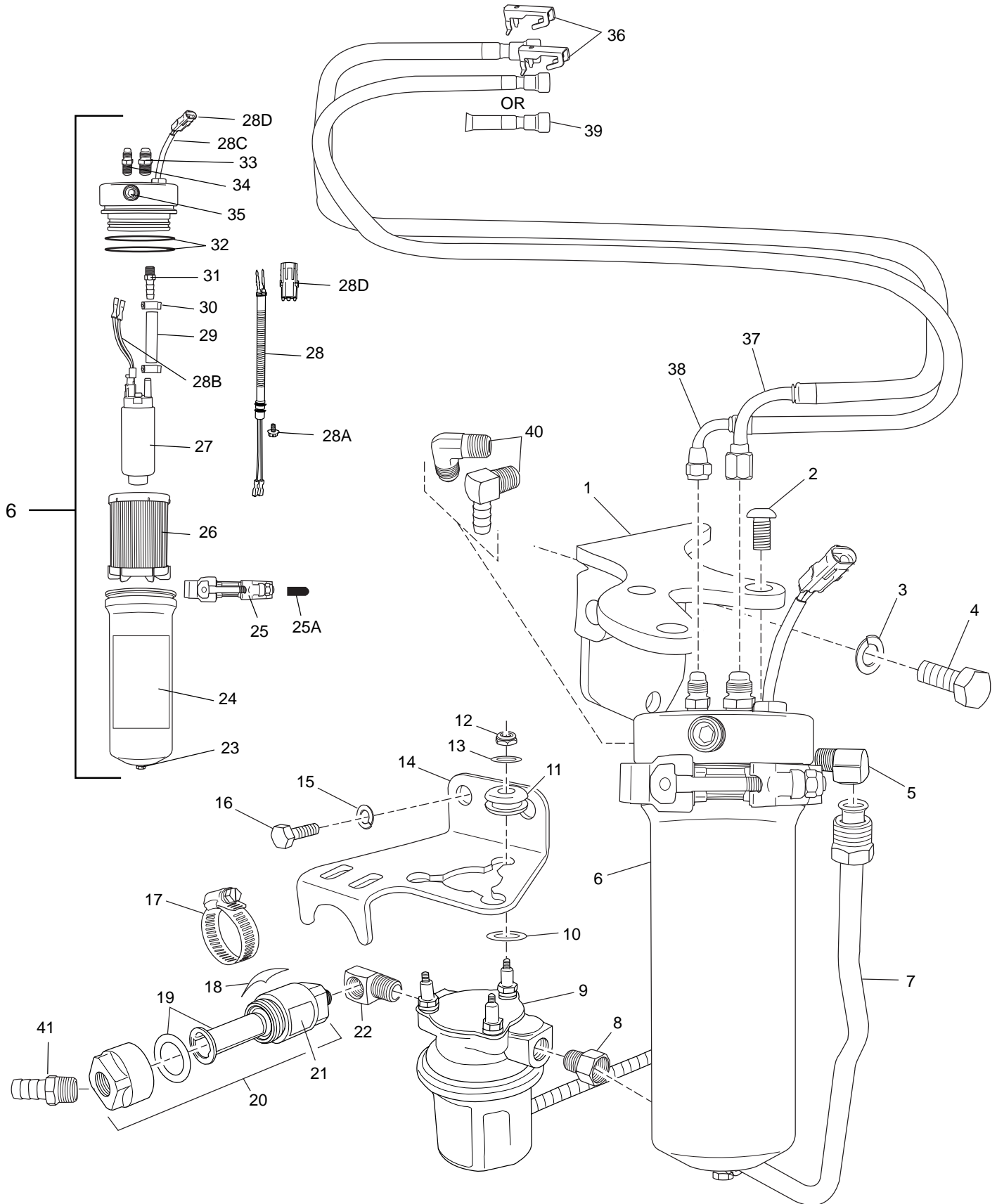
MODEL 07-570V-01, 07-570V-02 REMOTE OIL FILTER COMPONENTS - FIGURE 11



## MODEL 07-570V-01, 07-570V-02 REMOTE OIL FILTER COMPONENTS - FIGURE 11

ITEM	PART NO.	QTY.	DESCRIPTION	MODEL ID
1	R090226	1	<b>Bracket</b> , ROF header mounting	07-570V-01, 07-570V-02
2	R079066	1	<b>Oil Filter Header</b>	07-570V-01, 07-570V-02
3	RS2179	3	<b>Lockwasher</b> , header mounting to brkt	07-570V-01, 07-570V-02
4	RS0280	3	<b>Bolt</b> , header mounting to brkt	07-570V-01, 07-570V-02
5	R047245	2	<b>O-Ring</b> , oil line	07-570V-01, 07-570V-02
6	R024203	1	<b>Nipple</b> , header filter adapter	07-570V-01, 07-570V-02
7	22679	1	<b>Filter</b> , oil	07-570V-01, 07-570V-02
8	RA045120D	1	<b>Hose Assembly</b> , filter header to bypass adapter header	07-570V-01, 07-570V-02
9	RA045120B	1	<b>Hose Assembly</b> , cooler to filter	07-570V-01, 07-570V-02
10	R024184	2	<b>Fitting</b> , 5/8SAE X 1/2NPT, 90 degree	07-570V-01, 07-570V-02
11	R147049	1	<b>Cooler</b> , oil	07-570V-01, 07-570V-02
12	R090010	1	<b>Clamp</b> , oil cooler	07-570V-01, 07-570V-02
13	RS0256	1	<b>Bolt</b> , oil cooler clamp	07-570V-01, 07-570V-02
14	RS2058	1	<b>Nut</b> , oil cooler clamp	07-570V-01, 07-570V-02
15	90318275	1	<b>Bolt</b> , oil cooler clamp to bracket attaching	07-570V-01, 07-570V-02
16	9330000	1	<b>Lockwasher</b> , oil cooler clamp to bracket attaching	07-570V-01, 07-570V-02
17	95310300	1	<b>Nut</b> , oil cooler clamp to bracket attaching	07-570V-01, 07-570V-02
18	R090233A	1	<b>Bracket</b> , oil cooler attaching	07-570V-01, 07-570V-02
19	98443025	1	<b>Bolt</b> , bracket attaching	07-570V-01, 07-570V-02
20	93940000	1	<b>Lockwasher</b> , bracket attaching	07-570V-01, 07-570V-02
21	RA045103D	1	<b>Hose Assembly</b> , cooler to bypass adapter	07-570V-01, 07-570V-02
22	R017073	1	<b>Bolt</b> , oil bypass adapter	07-570V-01, 07-570V-02
23	R047203	1	<b>O-ring</b> , small	07-570V-01, 07-570V-02
24	R079051	1	<b>Adapter</b> , oil bypass adapter	07-570V-01, 07-570V-02
25	R047202	1	<b>O-ring</b> , large	07-570V-01, 07-570V-02
26	R009089	2	<b>Bolt</b> , oil adapter	07-570V-01, 07-570V-02
27	RA079028	1	<b>Adapter</b> , oil	07-570V-01, 07-570V-02
28	R024223	1	<b>Adapter</b> , CAN BUS oil pressure sensor	07-570V-01, 07-570V-02
29	R020048	1	<b>Sensor</b> , CAN BUS oil pressure	07-570V-01, 07-570V-02
30	R143175	1	<b>Decal</b> , "Caution Hot"	07-570V-01, 07-570V-02

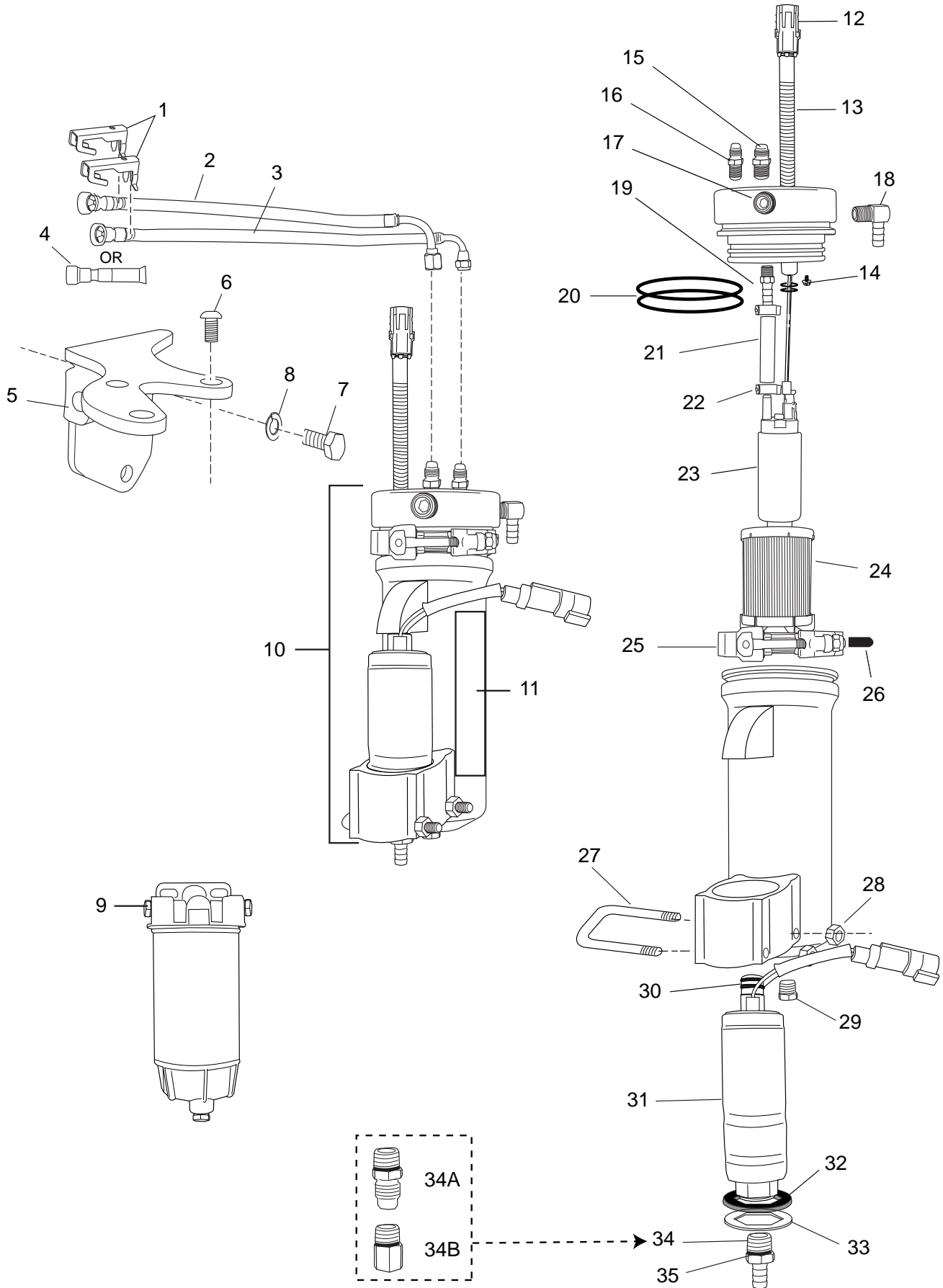
FUEL CONTROL CELL (FCC) COMPONENTS - SN 670001 through 671343 - FIGURE 12



## FUEL CONTROL CELL (FCC) COMPONENTS - SN 670001 through 671343 - FIGURE 12

ITEM	PART NO.	QTY.	DESCRIPTION	MODEL ID
1	R090179	1	<b>Bracket</b> , FCC mounting	
2	90384075	3	<b>Bolt</b> , FCC mounting	
3	RS2180	2	<b>Lockwasher</b> , FCC mounting bracket	
4	RS0304	2	<b>Bolt</b> , FCC mounting bracket	
5	R024017	1	<b>Fitting</b> , 90 degree	
6	RA080031	1	<b>Fuel Control Cell Assembly</b>	
7	RA085096A	1	<b>Fuel Line</b> , low-pressure pump to FCC	
8	R024146	1	<b>Adapter</b> , fuel line fitting	
9	RA080018	1	<b>Fuel Pump</b> , low-pressure	
10	R096141	3	<b>Washer</b> , fuel pump mounting	
11	R094035A	3	<b>Grommet</b> , mounting bracket	
12	RS1521L	3	<b>Locking Nut</b> , low-pressure fuel pump	
13	R096142	3	<b>Washer</b> , fuel pump mounting	
14	R090308	1	<b>Bracket</b> , low-pressure fuel pump mounting	
15	RS2180	2	<b>Lockwasher</b> , bracket mounting	
16	RS0302	2	<b>Bolt</b> , bracket mounting	
17	RS3858	1	<b>Clamp</b> , prefilter retaining	
18	R094040	1	<b>Adhesive</b> , rubber strip	
19	RP077014	1	<b>Gasket/Filter Kit</b> , prefilter	
20	RA077014	1	<b>Prefilter Assembly</b>	
21	R143174	1	<b>Decal</b> , prefilter	
22	R024192	1	<b>Fitting</b> , 90 degree	
23	RS3554	1	<b>Plug</b> , FCC drain	
24	R143112A	1	<b>Decal</b> , FCC	
25	R171010	1	<b>Clamp</b> , FCC bowl-to-head retaining	
25A	R128002	1	<b>Cover</b> , FCC clamp T-bolt	
26	R080026	1	<b>Filter</b> , FCC	
27	RA080025A	1	<b>Pump</b> , FCC high pressure fuel	
28	R121085B	1	<b>Harness</b> , 1 piece, FCC high pressure fuel pump (1-piece harness <b>does not</b> retrofit for 2-piece)	
28A	91620025	1	<b>Screw</b> , self-tapping, 1 piece harness retaining	
28B	RA121061	1	<b>Harness</b> , 2 piece, FCC high pressure fuel pump	
28C	RA121060	1	<b>Harness</b> , 2 piece, FCC high pressure fuel pump	
28D	7172040	1	<b>Connector</b> , W/P 2-Way Female	
29	R045098B	1	<b>Hose</b> , FCC internal fuel	
30	R127087	2	<b>Clamp</b> , Oeticker	
31	R024219	1	<b>Fitting</b> , FCC internal	
32	R047241	2	<b>O'Ring</b> , FCC bowl-to-head seal	
33	R024175	1	<b>Fitting</b> , FCC head (fuel supply line)	
34	R024163A	1	<b>Fitting</b> , FCC head (fuel return line)	
36	R127100	2	<b>Retainer</b> , fuel line	
37	RA085090A	1	<b>Hose Assembly</b> , FCC to fuel rail (inlet)	
38	RA085091A	AR	<b>Hose Assembly</b> , fuel rail to FCC (return)	
39	RK085011	AR	<b>Blockoff</b> , fuel line, fuel rail rtn to FCC	07-570-XX, 07-570V-XX
40	R024225	AR	<b>Fitting</b> , return line 90 degree barb	
40	R024224	AR	<b>Fitting</b> , return line 90 degree SAE	
41	R024218	1	<b>Fitting</b> , fuel inlet, 3/8 NPT X 1/2 hose barb	

FUEL CONTROL CELL (FCC) COMPONENTS (SN 671344 and above) - FIGURE 13

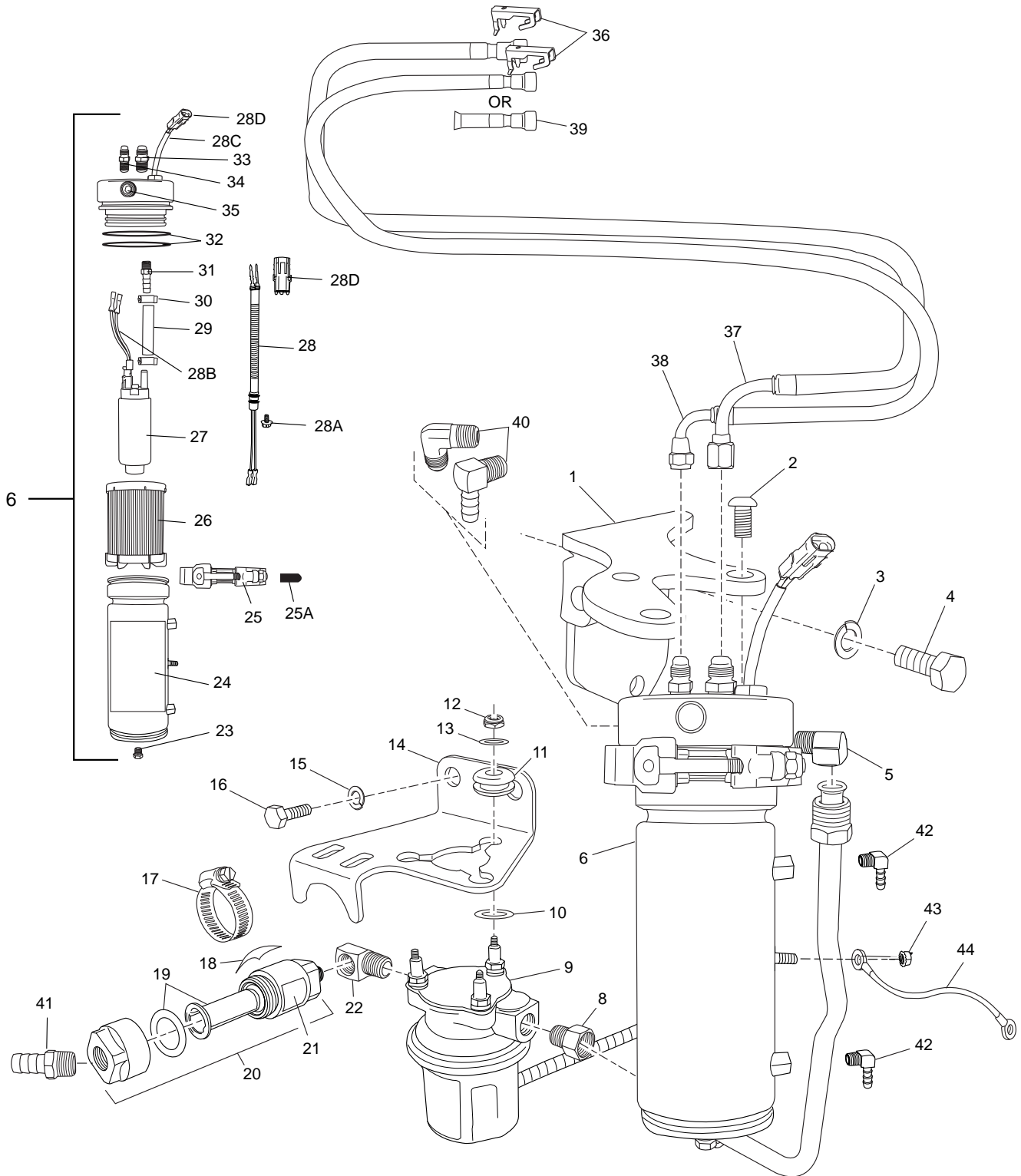




## FUEL CONTROL CELL (FCC) COMPONENTS (SN 671344 and above) - FIGURE 13

ITEM	PART NO.	QTY.	DESCRIPTION	MODEL ID
1	R127100	2	<b>Locking Clip</b> , fuel line	
2	RA085090A	1	<b>Hose Assembly</b> , FCC to fuel rail (inlet)	
3	RA085091A	1	<b>Hose Assembly</b> , fuel rail to FCC (return)	
4	RK085011	1	<b>Blockoff</b> , fuel line, fuel rail rtn to FCC	07-570-XX, 07-570V-XX
5	R090179	1	<b>Bracket</b> , FCC mounting	
NI	R143114	1	<b>Decal</b> , Warning, fuel leaks	
6	90384075	3	<b>Bolt</b> , FCC mounting	
7	RS0304	2	<b>Bolt</b> , FCC mounting bracket	
8	RS2180	2	<b>Lockwasher</b> , FCC mounting bracket	
9	RA080033	1	<b>Filter Assembly</b> , primary fuel (See Figure xx)	
10	RA080034	1	<b>FCC Assembly</b>	
11	R143112C	1	<b>Decal</b> , FCC	
12	7172040	1	<b>Connector</b> , W/P 2-Way Female	
13	R1210085B	1	<b>Harness</b> , 1 piece, FCC high pressure fuel pump	
14	91620025	1	<b>Screw</b> , self-tapping, 1 piece harness retaining	
15	R024175	1	<b>Fitting</b> , FCC head (fuel supply line)	
16	R024163A	1	<b>Fitting</b> , FCC head (fuel return line)	
17	RS3550	1	<b>Plug</b> , FCC head	
18	R024225	1	<b>Fitting</b> , 90 degree	
19	R024219	1	<b>Fitting</b> , FCC internal	
20	R047241	2	<b>O'Ring</b> , FCC bowl-to-head seal	
21	R045098B	1	<b>Hose</b> , FCC internal fuel	
22	R127087	2	<b>Clamp</b> , Oeticker	
23	RA080025A	1	<b>Pump</b> , FCC high pressure fuel	
24	R080026	1	<b>Filter</b> , FCC	
25	R171010	1	<b>Clamp</b> , FCC bowl-to-head retaining	
26	R128002	1	<b>Cover</b> , FCC clamp T-bolt	
27	R127102	1	<b>U-Bolt</b> , low pressure fuel pump retaining	
28	95004300	2	<b>Nut</b> , Nylock, low-pressure fuel pump retaining	
29	RS3554	1	<b>Plug</b> , FCC drain	
30	R047252	2	<b>O'Ring</b> , LPFP seal	
31	RA080032	1	<b>Fuel Pump</b> , low-pressure	
32	R094045	1	<b>Isolator</b> , LPFP mounting	
33	R169064	AR	<b>Shim</b> , LPFP mounting, 11 gage	
33	R169064A	AR	<b>Shim</b> , LPFP mounting, 16 gage	
33	R169064B	AR	<b>Shim</b> , LPFP mounting, 22 gage	
34	R024230	1	<b>Fitting</b> , LPFP to 1/2" Hose barb	
34A	R024231	1	<b>Fitting</b> , LPFP to 8-JIC	22-570-XX
34B	R024241	1	<b>Fitting</b> , LPFP to -6 NPTF	23-500-XX, 23-570-XX, 23-570V-XX
35	R047251	1	<b>O'Ring</b> , seal (p/o item 34)	
NI	RP080026	1	<b>Kit, Filter and O-Rings</b> , FCC	
<p><b>IMPORTANT: O-rings specified above are specifically rated for fuel system use. DO NOT substitute O-rings. After installation of an O-ring, always lubricate O-rings with O-ring lubricant, specified for fuel use, prior to assembly.</b></p>				

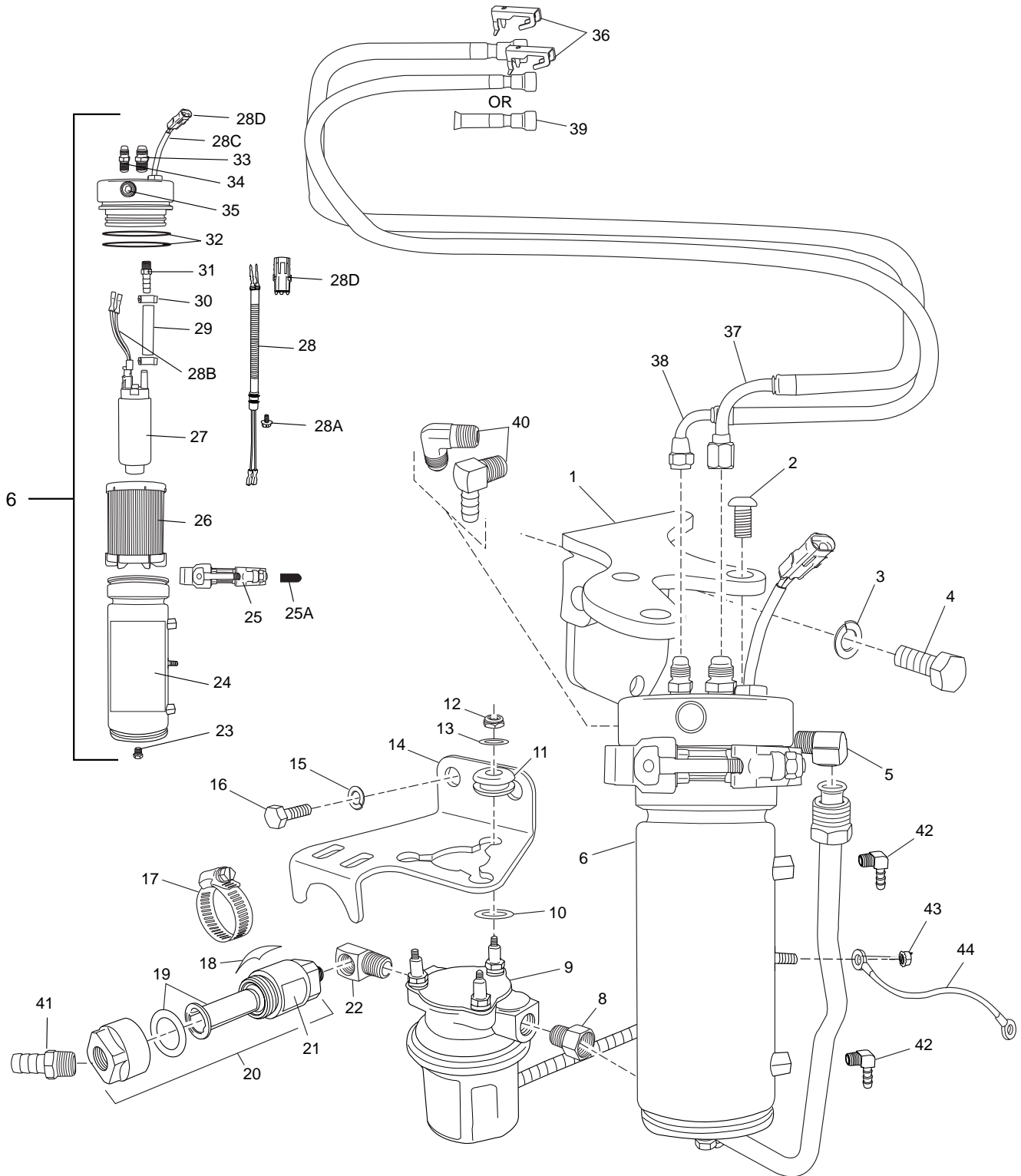
RETURNLESS FUEL SYSTEM COMPONENTS - SN 670001 through 671343 - FIGURE 14



## RETURNLESS FUEL SYSTEM COMPONENTS - SN 670001 through 671343 - FIGURE 14

ITEM	PART NO.	QTY.	DESCRIPTION	MODEL ID
				20-570-01, 20-570V-01, 29-570V-01, 50-570-ALL, 50-570V-ALL, 50-571-ALL, 50-571V-ALL, 50-500-ALL, 50-500V-01, 50-501-ALL, 50-501V-01
1	R090179	1	<b>Bracket</b> , FCC mounting	
2	90384075	3	<b>Bolt</b> , FCC mounting	
3	RS2180	2	<b>Lockwasher</b> , FCC mounting bracket	
4	RS0304	2	<b>Bolt</b> , FCC mounting bracket	
5	R024017	1	<b>Fitting</b> , 90 degree	
6	RA080031B	1	<b>Fuel Control Cell Assembly</b>	
7	RA085096A	1	<b>Fuel Line</b> , low-pressure pump to FCC	
8	R024146	1	<b>Adapter</b> , fuel line fitting	
9	RA080018	1	<b>Fuel Pump</b> , low-pressure	
10	R096141	3	<b>Washer</b> , fuel pump mounting	
11	R094035A	3	<b>Grommet</b> , mounting bracket	
12	RS1521L	3	<b>Locking Nut</b> , low-pressure fuel pump	
13	R096142	3	<b>Washer</b> , fuel pump mounting	
14	R090308	1	<b>Bracket</b> , low-pressure fuel pump mounting	
15	RS2180	2	<b>Lockwasher</b> , bracket mounting	
16	RS0302	2	<b>Bolt</b> , bracket mounting	
17	RS3858	1	<b>Clamp</b> , prefilter retaining	
18	R094040	1	<b>Adhesive</b> , rubber strip	
19	RP077014	1	<b>Gasket/Filter Kit</b> , prefilter	
20	RA077014	1	<b>Prefilter Assembly</b>	
21	R143174	1	<b>Decal</b> , prefilter	
22	R024192	1	<b>Fitting</b> , 90 degree	
23	RS3554	1	<b>Plug</b> , FCC drain	
24	R143112A	1	<b>Decal</b> , FCC	
25	R171010	1	<b>Clamp</b> , FCC bowl-to-head retaining	
25A	R128002	1	<b>Cover</b> , FCC clamp T-bolt	
26	R080026	1	<b>Filter</b> , FCC	
27	RA080025A	1	<b>Pump</b> , FCC high pressure fuel	
28	R121085B	1	<b>Harness</b> , 1 piece, FCC high pressure fuel pump (1-piece harness <b>does not</b> retrofit for 2-piece)	
28A	91620025	1	<b>Screw</b> , self-tapping, 1 piece harness retaining	
28B	RA121061	1	<b>Harness</b> , 2 piece, FCC high pressure fuel pump	
28C	RA121060	1	<b>Harness</b> , 2 piece, FCC high pressure fuel pump	
28D	7172040	1	<b>Connector</b> , W/P 2-Way Female	
29	R045098B	1	<b>Hose</b> , FCC internal fuel	
30	R127087	2	<b>Clamp</b> , Oeticker	
31	R024219	1	<b>Fitting</b> , FCC internal	
32	R047241	2	<b>O'Ring</b> , FCC bowl-to-head seal	
33	R024175	1	<b>Fitting</b> , FCC head (fuel supply line)	

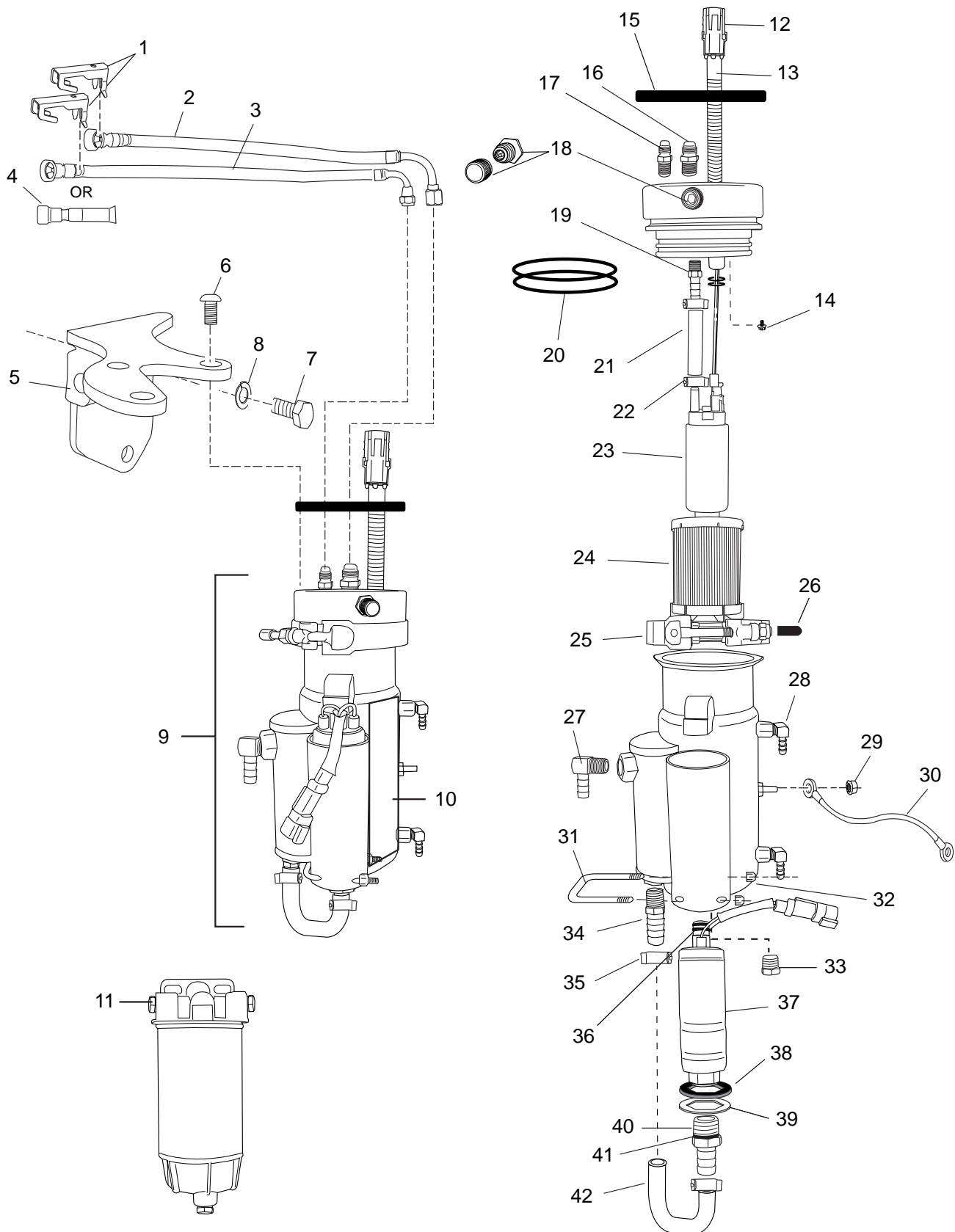
RETURNLESS FUEL SYSTEM COMPONENTS - SN 670001 through 671343 - FIGURE 14 (cont'd)



RETURNLESS FUEL SYSTEM COMPONENTS - SN 670001 through 671343 - FIGURE 14 (cont'd)

ITEM	PART NO.	QTY.	DESCRIPTION	MODEL ID
				20-570-01, 20-570V-01, 29-570V-01, 50-570-ALL, 50-570V-ALL, 50-571-ALL, 50-571V-ALL, 50-500-ALL, 50-500V-01, 50-501-ALL, 50-501V-01
34	R024163A	1	<b>Fitting</b> , FCC head (fuel return line)	
36	R127100	2	<b>Retainer</b> , fuel line	
37	RA085090A	1	<b>Hose Assembly</b> , FCC to fuel rail (inlet)	
38	RA085091A	AR	<b>Hose Assembly</b> , fuel rail to FCC (return)	
39	RK085011	AR	<b>Blockoff</b> , fuel line, fuel rail rtn to FCC	07-570-XX, 07-570V-XX
40	R024225	AR	<b>Fitting</b> , return line 90 degree barb	
40	R024224	AR	<b>Fitting</b> , return line 90 degree SAE	
41	R024218	1	<b>Fitting</b> , fuel inlet, 3/8 NPT X 1/2 hose barb	
42	R024055	2	<b>Fitting</b> , 90 degree, to hose	
43	RS1078	1	<b>Nut</b> , KEPS, ground wire attaching	
44	R101013	1	<b>Wire</b> , grounding	

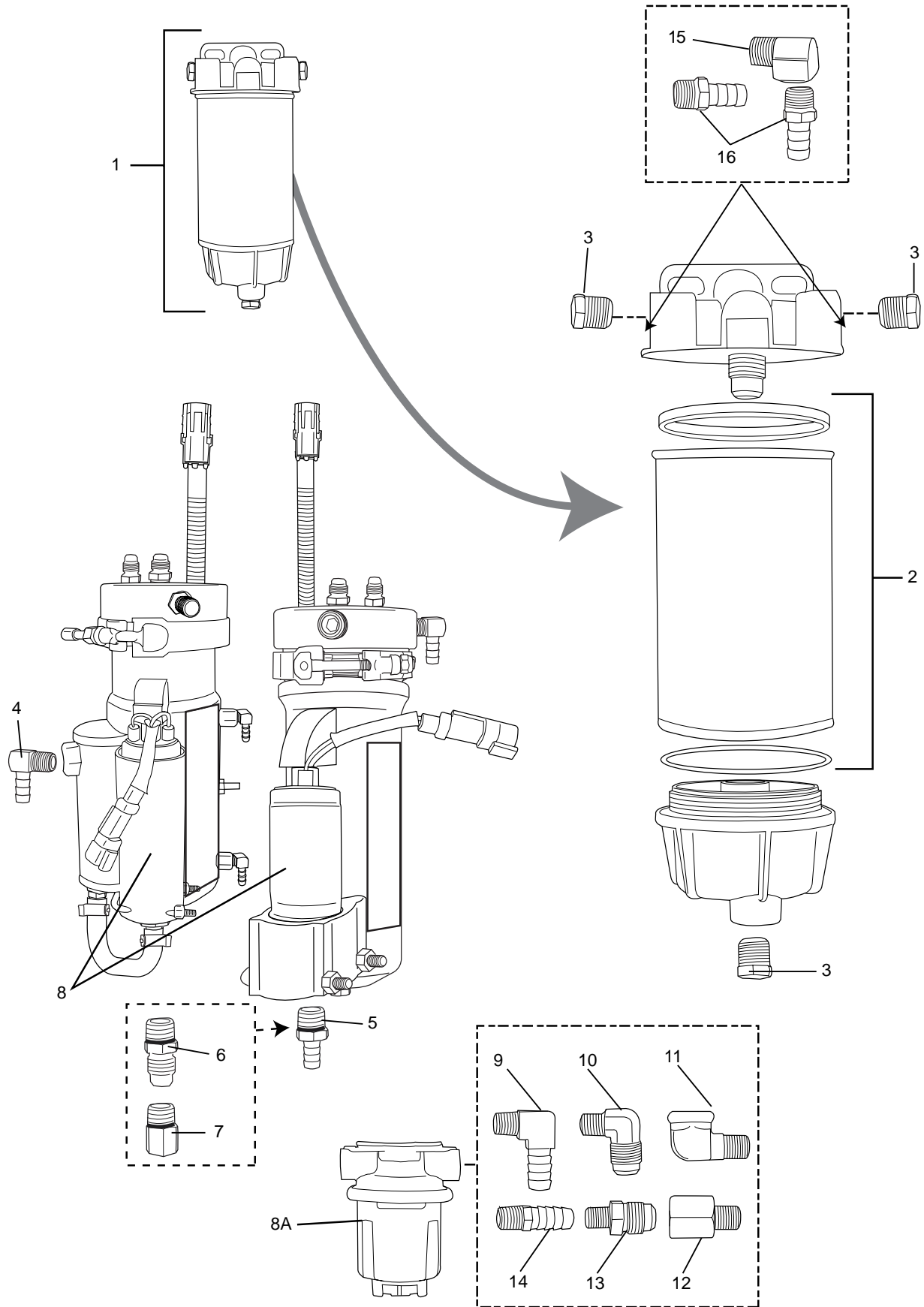
RETURNLESS FUEL SYSTEM COMPONENTS (SN 671344 and above) - FIGURE 15



## RETURNLESS FUEL SYSTEM COMPONENTS (SN 671344 and above) - FIGURE 15

ITEM	PART NO.	QTY.	DESCRIPTION	MODEL ID
				20-570-01, 20-570V-01, 29-570V-01, 50-570-ALL, 50-570V-ALL, 50-571-ALL, 50-571V-ALL, 50-500-ALL, 50-500V-01, 50-501-ALL, 50-501V-01
1	R127100	2	<b>Locking Clip</b> , fuel line	
2	RA085090A	1	<b>Hose Assembly</b> , FCC to fuel rail (inlet)	
3	RA085091A	1	<b>Hose Assembly</b> , fuel rail to FCC (return)	
4	RK085011	1	<b>Blockoff</b> , fuel line, fuel rail rtn to FCC	07-570-XX, 07-570V-XX
5	R090179	1	<b>Bracket</b> , FCC mounting	
NI	R143114	1	<b>Decal</b> , Warning, fuel leaks	
6	90384100	3	<b>Bolt</b> , FCC mounting	
7	RS0304	2	<b>Bolt</b> , FCC mounting bracket	
8	RS2180	2	<b>Lockwasher</b> , FCC mounting bracket	
9	RA080034A	1	<b>FCC Assembly</b>	
10	R143112C	1	<b>Decal</b> , FCC	
11	RA080033	1	<b>Filter Assembly</b> , primary fuel (See Figure xx)	
12	7172040	1	<b>Connector</b> , W/P 2-Way Female	
13	R1210085B	1	<b>Harness</b> , 1 piece, FCC high pressure fuel pump	
14	91620025	1	<b>Screw</b> , self-tapping, 1 piece harness retaining	
15	R062091	1	<b>Isolator</b> , FCC mounting	
16	R024175	1	<b>Fitting</b> , FCC head (fuel supply line)	
17	R024163A	1	<b>Fitting</b> , FCC head (fuel return line)	
18	RS3550	2	<b>Plug</b> , FCC head	
18	RA035042	1	<b>Valve</b> , Schrader	
NI	R143188	1	<b>Decal</b> , schrader valve	
19	R024219	1	<b>Fitting</b> , FCC internal	
20	R047241	2	<b>O'Ring</b> , FCC bowl-to-head seal	
21	R045098B	1	<b>Hose</b> , FCC internal fuel	
22	R127087	2	<b>Clamp</b> , Oeticker	
23	RA080025A	1	<b>Pump</b> , FCC high pressure fuel	
24	R080026	1	<b>Filter</b> , FCC	
25	R171010	1	<b>Clamp</b> , FCC bowl-to-head retaining	
26	R128002	1	<b>Cover</b> , FCC clamp T-bolt	
27	R024242	2	<b>Fitting</b> , 90 degree, 3/8 NPT X 1/2" hose	
28	R024055	2	<b>Fitting</b> , 90 degree, 1/8 NPT X 1/4" hose	
29	R101013	2	<b>Bonding</b> , wire	
30	RS1078	2	<b>Nut</b> , KEPS, bonding wire retaining	
31	R127102	1	<b>U-Bolt</b> , low pressure fuel pump retaining	
32	95004300	2	<b>Nut</b> , Nylock, low-pressure fuel pump retaining	
33	RS3554	1	<b>Plug</b> , FCC drain	
34	30632	1	<b>Fitting</b> , straight	
35	R127087D	2	<b>Clamp</b> , Oeticker	
36	R047252	2	<b>O'Ring</b> , LPFP seal	
37	RA080032	1	<b>Fuel Pump</b> , low-pressure	
38	R094045	1	<b>Isolator</b> , LPFP mounting	
39	R169064	AR	<b>Shim</b> , LPFP mounting, 11 gage	
39	R169064A	AR	<b>Shim</b> , LPFP mounting, 16 gage	
39	R169064B	AR	<b>Shim</b> , LPFP mounting, 22 gage	
40	R024230	1	<b>Fitting</b> , LPFP to 1/2" Hose barb	
41	R047251	1	<b>O'Ring</b> , seal (p/o item 40)	
42	R045177	1	<b>Hose</b> , reservoir to LPFP input	
NI	RP080026	1	<b>Kit, Filter and O-Rings</b> , FCC	

FUEL/WATER SEPARATOR COMPONENTS - FIGURE 16

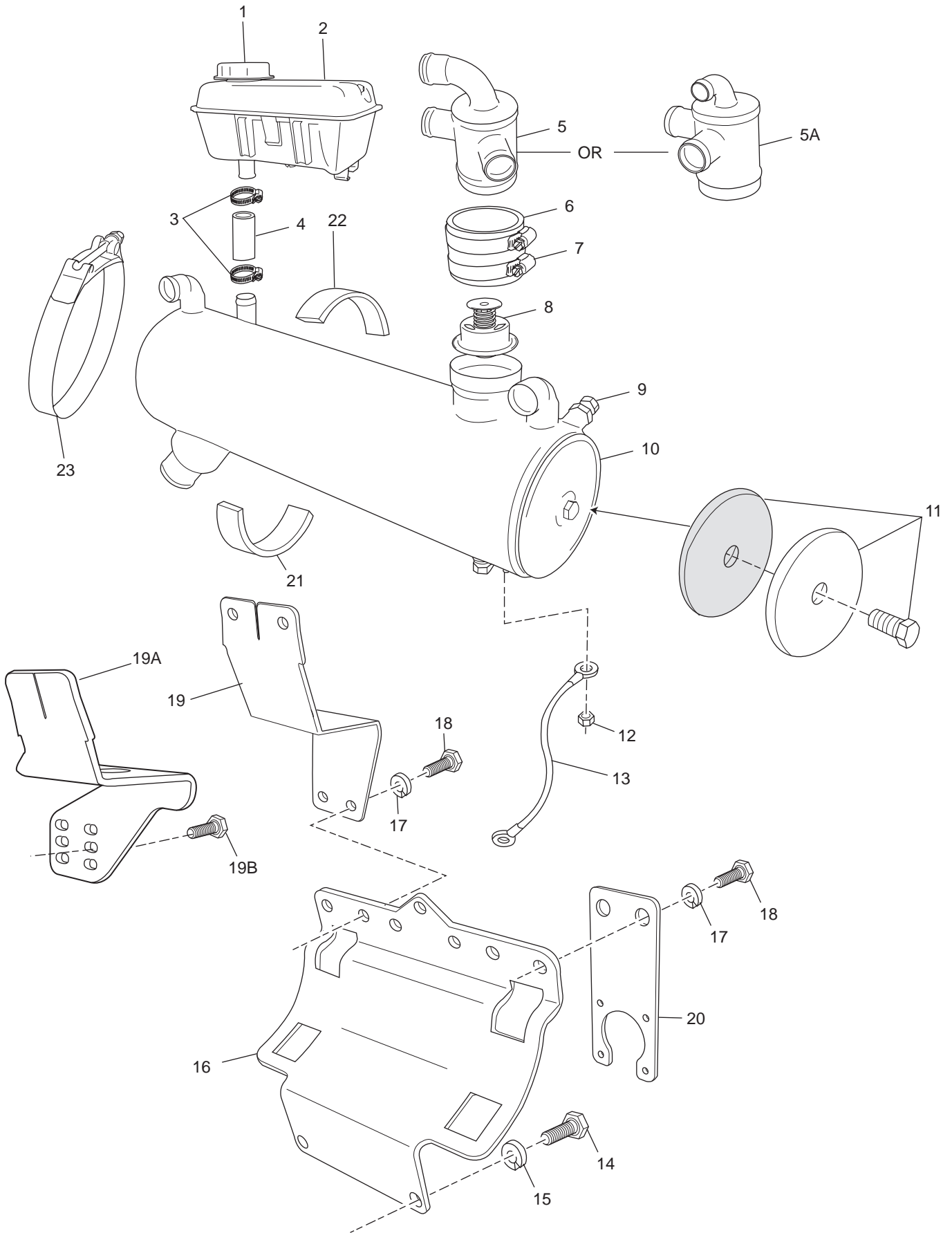




OPTIONAL - FUEL/WATER SEPARATOR COMPONENTS - FIGURE 16

ITEM	PART NO.	QTY.	DESCRIPTION	MODEL ID
1	RA080033	1	<b>Fuel / Water Separator Assembly</b>	
2	R080033	AR	<b>Filter and Seals</b>	
3	RS3557	3	<b>Plug, 3/8 NPT brass</b>	
4	R024242	1	<b>Fitting, 90 degree, 3/8 NPT X 1/2" hose</b>	
5	R024230	1	<b>Fitting, LPFP to 1/2" hose</b>	
6	R024231	AR	<b>Fitting, LPFP to 8-JIC</b>	22-570-XX
7	R024241	AR	<b>Fitting, LPFP to -6 NPTF</b>	23-500-XX, 23-500-XX, 23-570V-XX
8	RA080032	-	<b>Fuel Pump, Low Pressure - FCC mounted SN 671344 and above</b>	
8A	RA080018	-	<b>Fuel Pump, Low Pressure - Remote mounted</b>	
9	R024207	AR	<b>Fitting, Elbow, 1/4 NPT X 1/2 hose</b>	
10	R024201	AR	<b>Fitting, Elbow, 1/4 NPT X 1/2 SAE</b>	
11	R024236	AR	<b>Fitting, Elbow, 1/4 NPT (male) X 3/8 NPT (female)</b>	
12	R024235	AR	<b>Fitting, Straight, 1/4 NPT (male) X 3/8 NPT (female)</b>	
13	R024227	AR	<b>Fitting, Straight, 1/4 NPT X 1/2 SAE</b>	
14	30632	AR	<b>Fitting, Straight, 1/4 NPT X 1/2 hose</b>	
15	30646	AR	<b>Fitting, Elbow, 3/8 NPT (male) X 3/8 NPT (female)</b>	
16	R024218	AR	<b>Fitting, Straight, 3/8 NPT X 1/2 hose</b>	
NI	RK080033	AR	<b>Fuel / Water Separator Kit, (includes items 1,9, 14, 15, and 16)</b>	

HEAT EXCHANGER and COMPONENTS - FIGURE 17

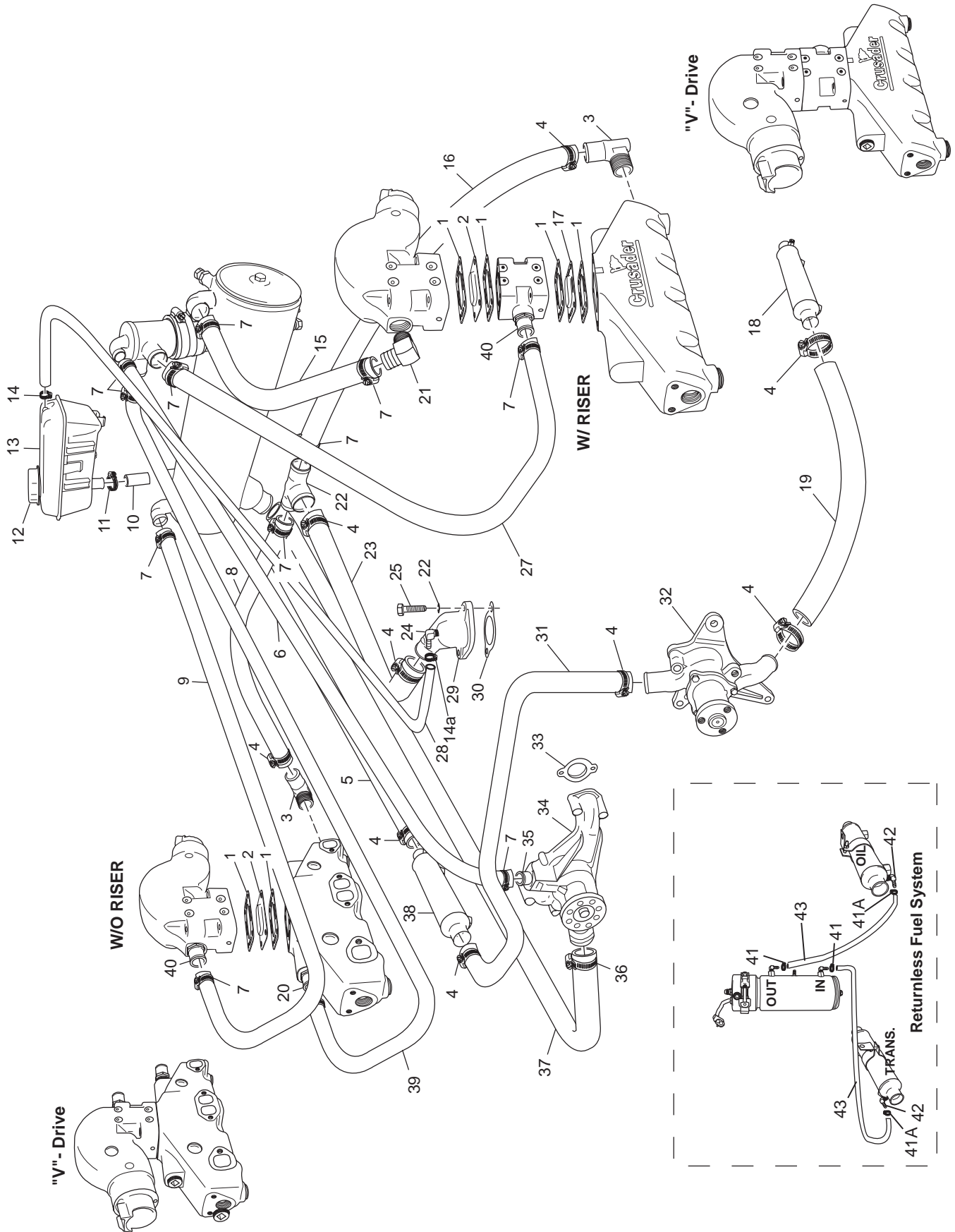


CR0005A  
10-11-04

## HEAT EXCHANGER and COMPONENTS - FIGURE 17

ITEM	PART NO.	QTY.	DESCRIPTION	MODEL ID
1	R034045	1	<b>Cap</b> , degas bottle	
2	R146001	1	<b>Bottle</b> , degas	
NI	R143169A	1	<b>Decal</b> , specification, 5.0L	
NI	R143170A	1	<b>Decal</b> , specification, 5.7L	
NI	R143153	1	<b>Decal</b> , coolant fill	
3	RS3854	2	<b>Clamp</b> , hose	
4	R045153	1	<b>Hose</b> , degas bottle to heat exchanger	
4	R045164A	1	<b>Hose</b> , degas bottle to heat exchanger, V-Drive	xx-570V-xx, xx-571V-xx
5	R025038	1	<b>Housing</b> , tstat, heat exchanger	
5A	R025037	1	<b>Housing</b> , tstat, heat exchanger	07-570V-01, 07-570V-02
6	R045162	1	<b>Hose</b> , tstat housing	
7	RS3860	2	<b>Clamp</b> , tstat housing	
8	R026007	1	<b>Thermostat</b> , 170° F	
9	R168005	AR	<b>Anode</b> , sacrificial zinc	
10	RA147048	1	<b>Heat Exchanger Assembly</b>	
11	23540	AR	<b>End Cap Kit</b> , exchanger	
12	RS1078	1	<b>Nut</b> , ground wire stud	
13	R101013	1	<b>Wire</b> , grounding	
14	RS0304	2	<b>Bolt</b> , heat exchanger bracket attaching	
15	RS2180	2	<b>Lockwasher</b> , h.e. bracket attaching	
16	R090258	1	<b>Bracket</b> , heat exchanger	
17	RS2179	4	<b>Lockwasher</b> , degas bottle brkt. attaching	
18	98333020	4	<b>Bolt</b> , degas bottle bracket attaching	
19	R090311	1	<b>Bracket</b> , degas bottle, std.	
19A	R090301B	1	<b>Bracket</b> , degas bottle	07-570V-01, 07-570V-02
19B	R009178	2	<b>Bolt</b> , degas bottle bracket attaching (R090301B)	07-570V-01, 07-570V-02
20	R090291	1	<b>Bracket</b> , 10-pin connector	
21	R094040	2	<b>Isolator</b> , rubber w/adhesive, bottom	
22	R094041	2	<b>Isolator</b> , rubber, top	
23	R171009	2	<b>Clamp</b> , exchanger mounting	
NI	23627	1	<b>Decal</b> , Protective Anode	
NI	R143182-07	1	<b>Decal</b> , 5.7L Emission (C.A.R.B.) '07 MY	
NI	R143159A-07	1	<b>Decal</b> , 5.7L Emission (C.A.R.B.) '07 MY	07-570V-01, 07-570V-02
NI	R143158	1	<b>Decal</b> , "Ultra Low Emission"	
NI	R143156	1	<b>Decal</b> , Raw Water Drain	
NI	R143157	1	<b>Decal</b> , Fresh Water Drain	

FRESH WATER COOLING SYSTEM COMPONENTS - FIGURE 18

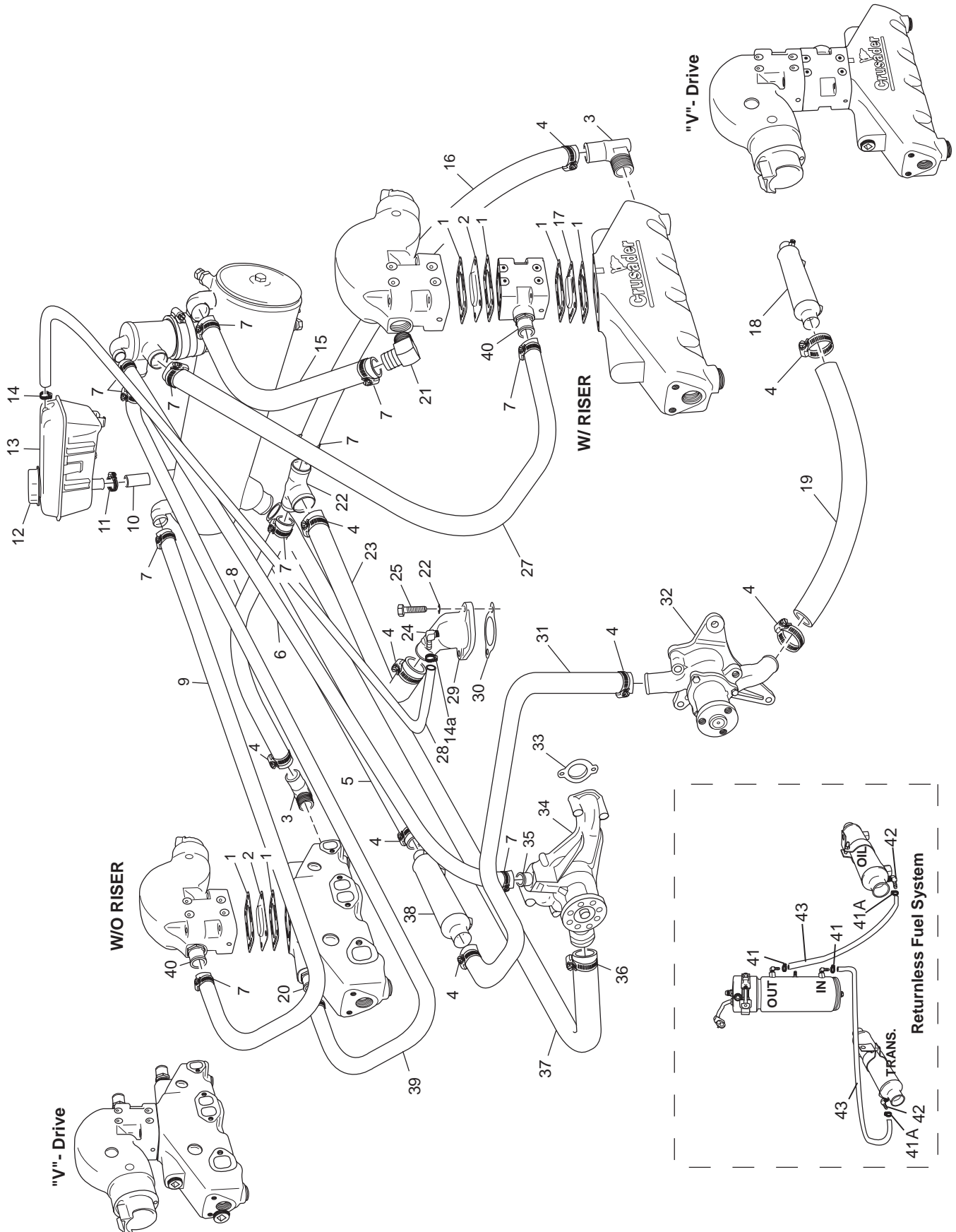


PC57B034CR\_07A

## FRESH WATER COOLING SYSTEM COMPONENTS - FIGURE 18

ITEM	PART NO.	QTY.	DESCRIPTION	MODEL ID
1	98127	4	<b>Gasket</b> , elbow / riser / manifold (*Quantity - 8, w/ 4" riser)	
2	98124	2	<b>Plate</b> , block-off	
3	30624	2	<b>Fitting</b> , exhaust manifold (90 degree) (1" NPT X 1-1/4" hose)	
N.I.	RS3552	2	<b>Plug</b> , drain	
4	RS3858	10	<b>Clamp</b> , hose	
5	R045144A	1	<b>Hose</b> , transmission cooler to heat exchanger	
6	20806	AR	<b>Hose</b> , bulk, t-stat housing to circulating pump 5/8" i.d.	
7	RS3851	12	<b>Clamp</b> , hose	
8	R045136B	1	<b>Hose</b> , coolant tee to exhaust manifold (starboard)	
9	R045124	1	<b>Hose</b> , heat exchanger to elbow (starboard) (direct drive)	
9	18311	1	<b>Hose</b> , heat exchanger to elbow (starboard) (v-drive)	all except 07-570V-01, 07-570V-02
10	R045153	1	<b>Hose</b> , degas bottle to heat exchanger	
10	R045164A	1	<b>Hose</b> , degas bottle to heat exchanger	07-570V-01, 07-570V-02
11	RS3854	2	<b>Clamp</b> , hose	
12	R034045	1	<b>Cap</b> , degas bottle	
13	R146001	1	<b>Bottle</b> , degas	
14	R127087	1	<b>Clamp</b> , hose	
14a	RS3870	1	<b>Clamp</b> , hose	
15	R045125	1	<b>Hose</b> , heat exchanger to elbow (Port) (direct drive)	
15	R045125A	1	<b>Hose</b> , heat exchanger to elbow (Port) (v-drive)	all except 07-570V-01, 07-570V-02
16	R045136	1	<b>Hose</b> , coolant tee to exhaust manifold (port)	
17	98124A	2	<b>Plate</b> , vented (used w/ 4" riser)	
18	R147049	1	<b>Cooler</b> , engine oil	
19	R045159B	1	<b>Hose</b> , engine oil cooler to raw water pump	
19	R045174	1	<b>Hose</b> , engine oil cooler to raw water pump	07-570V-01, 07-570V-02
20	R024212	3	<b>Fitting</b> , straight (1" NPT X 1-1/4" hose)	
21	R024006A	1	<b>Fitting</b> , 90 degree (3/4" NPT X 1" hose)	
22	R024054C	1	<b>Tee</b> , coolant, 1-1/4 x 1 x 1	
23	R045144	1	<b>Hose</b> , water neck to coolant tee	
24	R024055	1	<b>Fitting</b> , 90 degree, water neck	
25	RS0304	2	<b>Bolt</b> , water neck attaching	
26	RS2180	2	<b>Lockwasher</b> , water neck attaching	
27	TBD	1	<b>Hose</b> , t-stat housing to 4" riser (port)	
N.I.	R045157A	1	<b>Hose</b> , t-stat housing to manifold w/o 4" riser (port)	
N.I.	R045157B	1	<b>Hose</b> , t-stat housing to manifold w/o 4" riser (port)	07-570V-01, 07-570V-02
28	R045132	AR	<b>Hose</b> , degas bottle to water neck fitting	
29	R025015A	1	<b>Water Neck</b>	

FRESH WATER COOLING SYSTEM COMPONENTS - FIGURE 18 (cont'd)

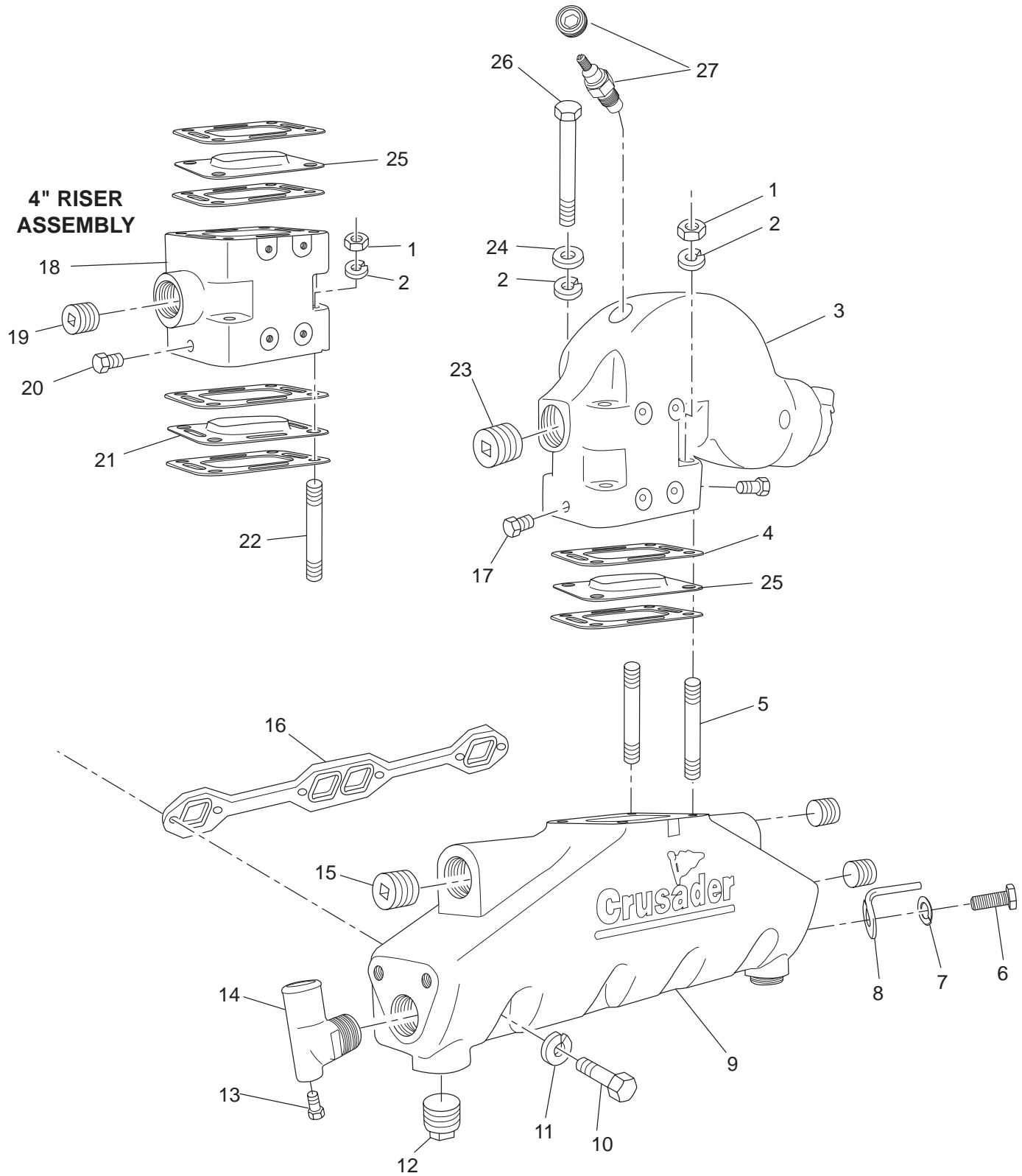


PC57B034CR\_07A

FRESH WATER COOLING SYSTEM COMPONENTS - FIGURE 18 (cont'd)

ITEM	PART NO.	QTY.	DESCRIPTION	MODEL ID
30	96105	1	<b>Gasket</b> , water neck	
31	R045166	1	<b>Hose</b> , raw water pump to transmission cooler	
32	RA057034	1	<b>Raw Water Pump</b>	
33	RM0203	2	<b>Gasket</b> , water pump to engine block	
34	RA057027	1	<b>Water Pump Assembly</b>	
35	23555	2	<b>Fitting</b> , 5/8" hose barb	
36	RS3852	2	<b>Clamp</b> , hose (#32)	
37	R045146	1	<b>Hose</b> , heat exchanger to circulating pump	
38	R147006	1	<b>Cooler</b> , transmission oil	
39	R045157	1	<b>Hose</b> , t-stat housing to manifold w/o 4" riser (starboard)	
N.I.	TBD	1	<b>Hose</b> , t-stat housing to 4" riser (starboard)	
40	R024073	1	<b>Fitting</b> , straight (3/4" NPT X 1" hose)	
41	RS3870	2	<b>Clamp</b> , hose (1/4")	20-570-01, 20-570V-01, 29-570V-01, 50-570-ALL, 50-570V-ALL, 50-571-ALL, 50-571V-ALL, 50-500-ALL, 50-500V-01, 50-501-ALL, 50-501V-01
41A	R127087A	2	<b>Clamp</b> , Oetiker (1/2")	20-570-01, 20-570V-01, 29-570V-01, 50-570-ALL, 50-570V-ALL, 50-571-ALL, 50-571V-ALL, 50-500-ALL, 50-500V-01, 50-501-ALL, 50-501V-01
42	R024055	2	<b>Fitting</b> , 1/8 NPT X 1/4 hose barb	20-570-01, 20-570V-01, 29-570V-01, 50-570-ALL, 50-570V-ALL, 50-571-ALL, 50-571V-ALL, 50-500-ALL, 50-500V-01, 50-501-ALL, 50-501V-01
43	R045132	AR	<b>Hose</b> , fuel cooler to oil cooler	20-570-01, 20-570V-01, 29-570V-01, 50-570-ALL, 50-570V-ALL, 50-571-ALL, 50-571V-ALL, 50-500-ALL, 50-500V-01, 50-501-ALL, 50-501V-01

EXHAUST MANIFOLD and COMPONENTS - FIGURE 19

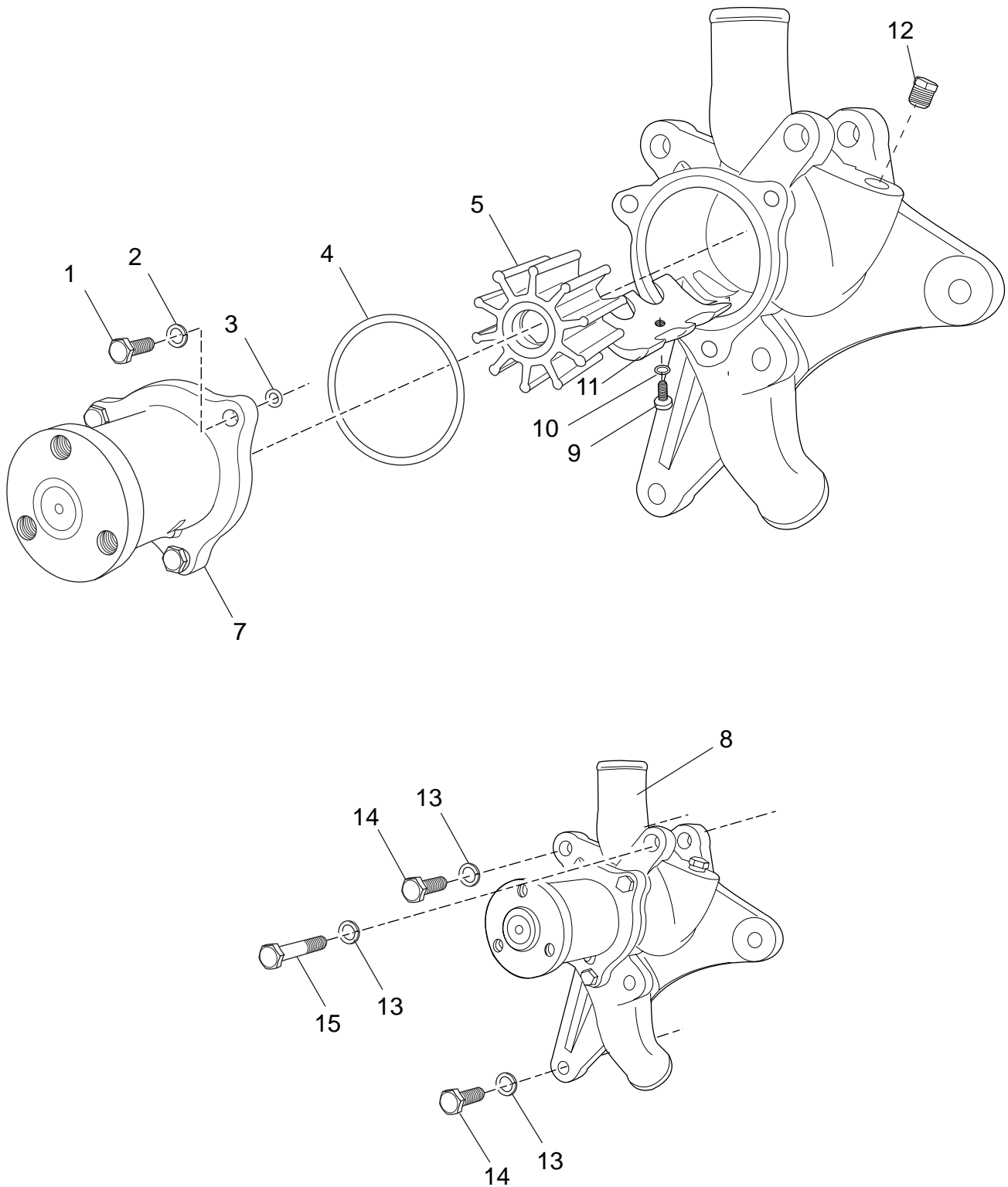




## EXHAUST MANIFOLD and COMPONENTS - FIGURE 19

ITEM	PART NO.	QTY.	DESCRIPTION	MODEL ID
1	RS1028	4	<b>Nut</b> , elbow attaching stud	
2	RS2180	8	<b>Lockwasher</b> , elbow attaching stud	
3	R029015	2	<b>Elbow</b> , exhaust manifold	
4	98127	8	<b>Gasket</b> , manifold/elbow/riser	
5	20827	4	<b>Stud</b> , exhaust elbow attaching	
6	RS2180	2	<b>Bolt</b> , wire loom attaching	
7	RS0302	2	<b>Lockwasher</b> , attaching bolt	
8	R096144	2	<b>Bracket</b> , spark plug wire loom	
9	98243	2	<b>Manifold</b> , exhaust	
10	RS0316	8	<b>Bolt</b> , manifold to cylinder head	
11	RS2180	8	<b>Lockwasher</b> , manifold to cylinder head	
12	103876	4	<b>Plug</b> , drain	
13	RS3552	1	<b>Plug</b> , drain	
14	30624	1	<b>Fitting</b> , water elbow (90 degree)	
15	103876	6	<b>Plug</b> , exhaust manifold (1")	
16	RM0119	2	<b>Gasket</b> , manifold to cylinder head	
17	RS3552	4	<b>Plug</b> , drain	
*	22818	1	<b>4-Inch Riser Kit</b>	
18	98128	2	<b>Exhaust Riser</b>	
19	RS3556	2	<b>Plug</b> , exhaust riser (3/4")	
20	RS3554	4	<b>Plug</b> , drain	
21	98124A	2	<b>Wing Plate</b> , pass-thru	
22	20783	4	<b>Stud</b> , riser mounting (2 3/4")	
23	RS3556	2	<b>Plug</b> , exhaust elbow (3/4")	
24	RS2674	4	<b>Washer</b> , elbow attaching	
25	98124	2	<b>Wing Plate</b> , block-off	
26	90305475	4	<b>Bolt</b> , exhaust elbow attaching (4 3/4")	
27	R020047	2	<b>Switch</b> , exhaust temperature	
27	RS3539	2	<b>Plug</b> , w/o exhaust temperature switch	07-570V-01, 07-570V-02
			<b>*NOTE:</b> See Fresh Water Cooling section for parts used on Fresh Water Cooled engines.	

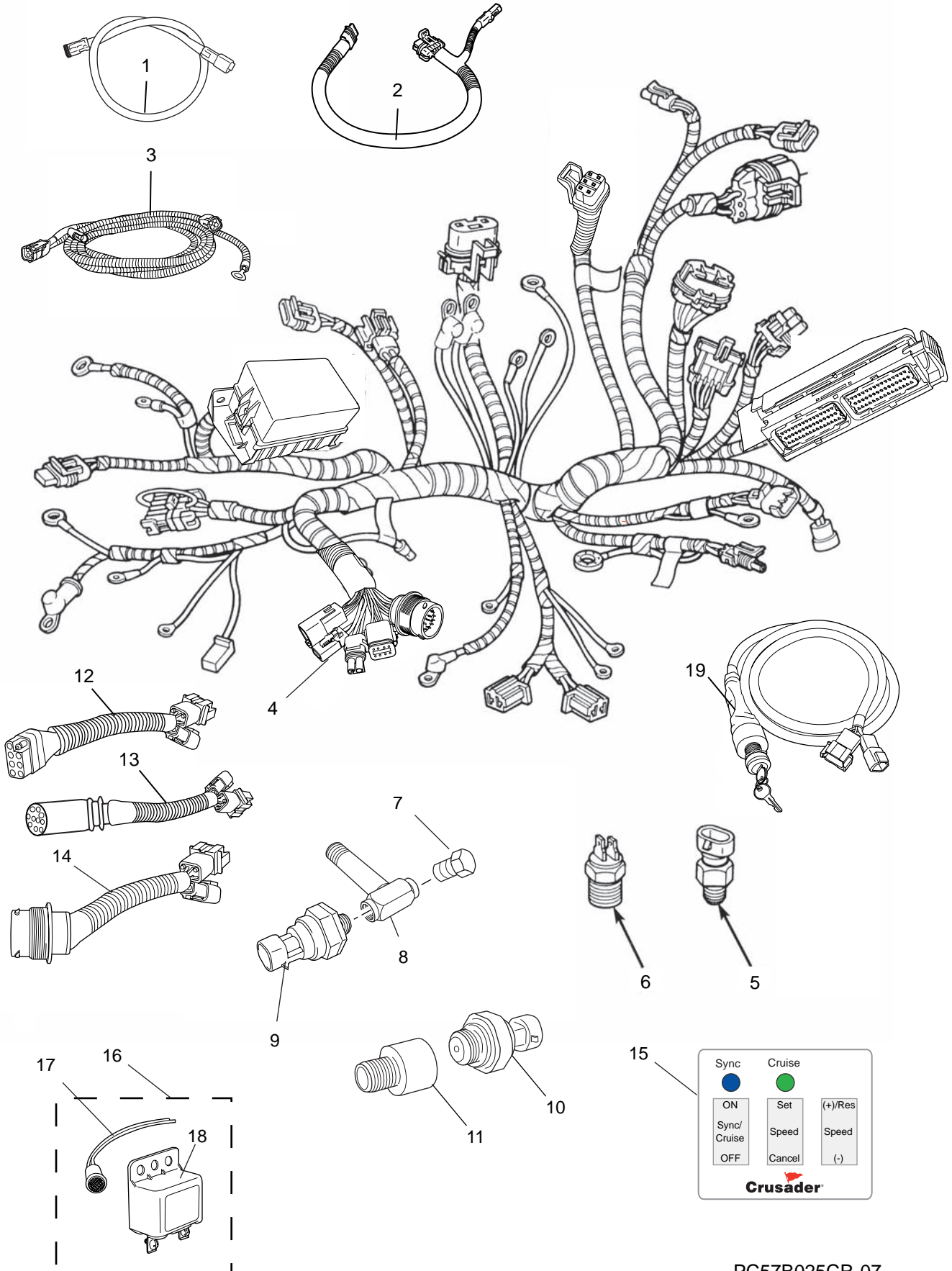
RAW WATER COOLING PUMP - FIGURE 20



## RAW WATER COOLING PUMP - FIGURE 20

ITEM	PART NO.	QTY.	DESCRIPTION	MODEL ID
1	TBD	3	<b>Bolt</b> , bearing housing attaching	
2	TBD	3	<b>Lockwasher</b> , bearing housing attaching bolt	
3	R047243	3	<b>O-ring</b> , bearing housing attaching bolt	
4	R047242	1	<b>O-ring</b> , bearing housing attaching	
5	RP061022	1	<b>Impeller Kit</b> (includes O-rings and impeller)	
6	R057034	1	<b>Housing</b> , raw water pump	
7	RA134071	1	<b>Bearing Housing Assembly</b>	
8	RA057034	1	<b>Raw Water Pump Assembly</b>	
9	R175056	1	<b>Bolt</b> , raw water pump cam	
10	R047254	1	<b>O-ring</b> , raw water pump cam	
11	R161018	1	<b>Cam</b> , raw water pump	
12	RS3554	1	<b>Plug</b> , brass 1/8 NPT	
13	RS2180	3	<b>Lockwasher</b> , raw water pump attaching	
14	RS0306	2	<b>Bolt</b> , raw water pump attaching	
15	RS0454	1	<b>Bolt</b> , raw water pump attaching	

WIRING HARNESS ASSEMBLIES and SENDERS - FIGURE 21

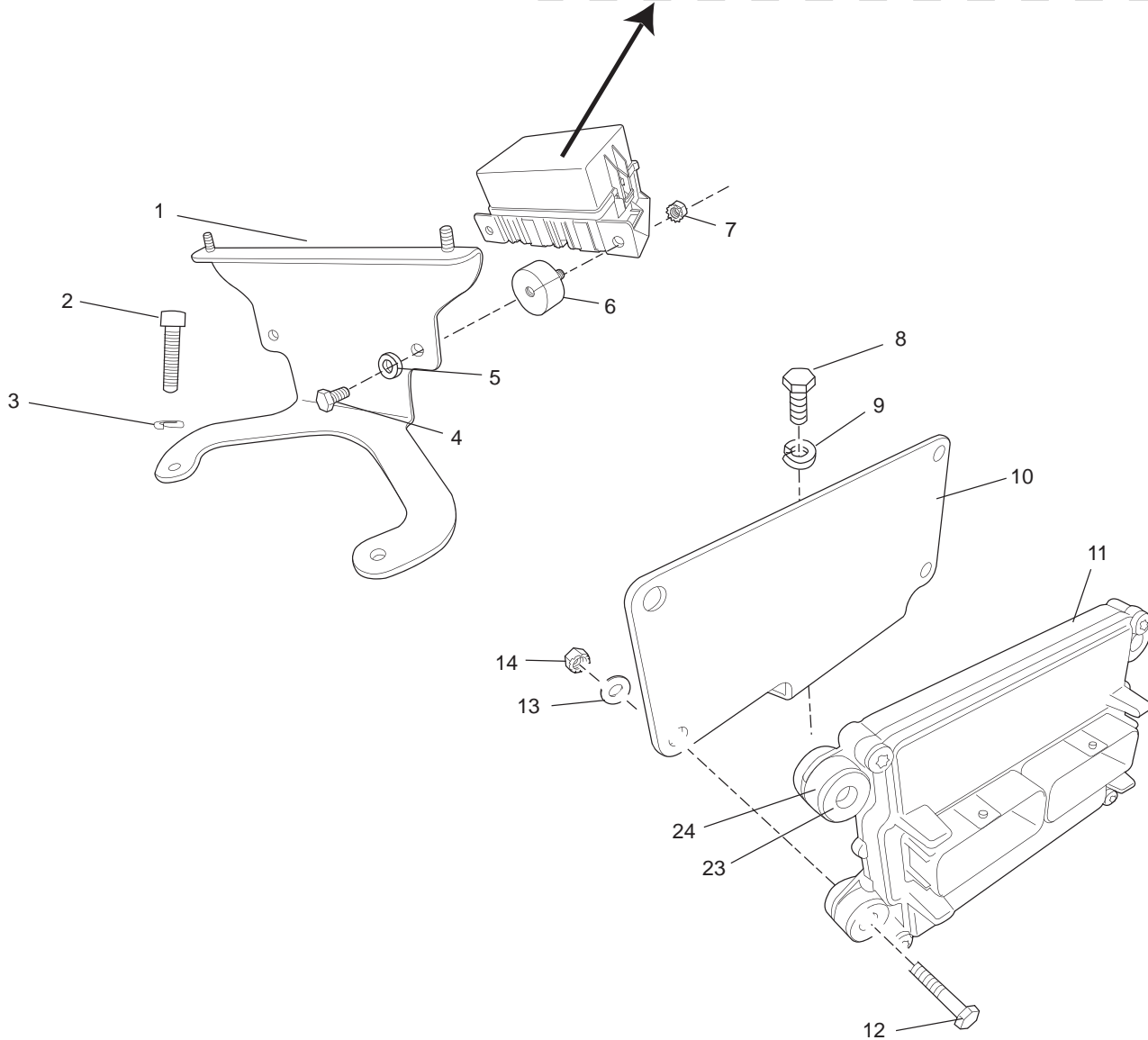
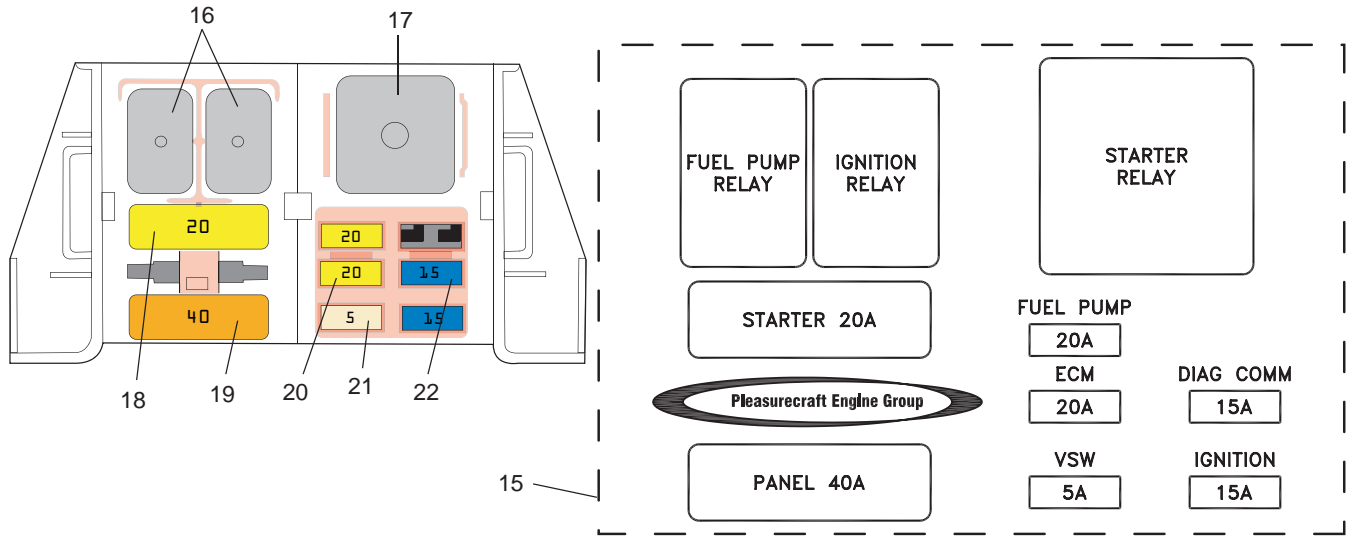


PC57B025CR-07

## WIRING HARNESS ASSEMBLIES and SENDERS - FIGURE 21

ITEM	PART NO.	QTY.	DESCRIPTION	MODEL ID
1	RA121062D	1	<b>Harness</b> , extension, fuel pump	07-570V-01, 07-570V-02
2	R121086	1	<b>Harness</b> , TAC module to TCP	07-570V-01, 07-570V-02
3	RA121072C	AR	<b>Harness</b> , slave 6-pin connector (twin applications only)	
3	RA121072A	AR	<b>Harness</b> , slave 4-pin connector (twin applications only)	07-570V-02
4	RA121090	1	<b>Engine Wiring Harness Assembly</b>	
4	RA121082A	1	<b>Engine Wiring Harness Assembly</b>	07-570V-01, 07-570V-02
5	R020019	1	<b>Sensor</b> , engine coolant temperature (ECT)	
6	R020037	1	<b>Switch</b> , transmission alarm	
7	RS3554	1	<b>Plug</b> , oil pressure sensor tee	
8	R024205	1	<b>Tee</b> , sender attaching	
9	R020049	1	<b>Sender</b> , oil pressure	
10	R020048	1	<b>Sensor</b> , CAN BUS oil pressure	07-570V-01, 07-570V-02
11	R024223	1	<b>Adapter</b> , CAN BUS oil pressure sensor	07-570V-01, 07-570V-02
12	RA121094	AR	<b>Harness</b> , Adapter to 8-pin (female) boat harness	
NI	RA121094A	AR	<b>Harness</b> , Adapter to 8-pin (male) boat harness	
13	RA121093	AR	<b>Harness</b> , Adapter to 10-pin boat harness	
NI	RA121093A	AR	<b>Harness</b> , Adapter to 10-pin boat harness, w/VDO sensor leads	
14	RA121098	AR	<b>Harness</b> , Adapter to 14-pin boat harness	
15	RA152007	AR	<b>Panel</b> , switch (Sync/Cruise, Speed Control)	
NI	RF152007	AR	<b>Kit</b> , Sync/Cruise, Speed Control (includes Panel + 25 ft harness)	
16	RK179008	AR	<b>Kit</b> , Check Engine Lamp	
17	R179008	AR	<b>Lamp</b> , Check Engine	
18	20640	AR	<b>Buzzer</b> , Engine Warning	
NI	RA121092	AR	<b>Harness</b> , Engine to Dash, Un-Terminated (25 foot)	
NI	RA121092A	AR	<b>Harness</b> , Engine to Dash, Un-Terminated (45 foot)	
NI	RA121092B	AR	<b>Harness</b> , Engine to Dash, Terminated, 8-Pin (Female) (25 foot)	
NI	RA121092C	AR	<b>Harness</b> , Engine to Dash, Un-Term., w/VDO sensor leads(25 ft)	
NI	RA121091	AR	<b>Harness</b> , Speed Control, Engine to Panel (25 foot)	
NI	RA121091A	AR	<b>Harness</b> , Speed Control, Engine to Panel (45 foot)	
NI	RA121096-20	AR	<b>Harness</b> , Speed Control, Engine to Junction (20 foot)	
NI	RA121096-25	AR	<b>Harness</b> , Speed Control, Engine to Junction (25 foot)	
NI	RA121096-30	AR	<b>Harness</b> , Speed Control, Engine to Junction (30 foot)	
NI	RA121096-35	AR	<b>Harness</b> , Speed Control, Engine to Junction (35 foot)	
NI	RA121097-07	AR	<b>Harness</b> , Speed Control, Junction to Panel (7 foot)	
NI	RA121097-15	AR	<b>Harness</b> , Speed Control, Junction to Panel (15 foot)	
NI	RA121097-21	AR	<b>Harness</b> , Speed Control, Junction to Panel (21 foot)	
19	RT0091	AR	<b>Harness</b> , Test w/Key Switch	

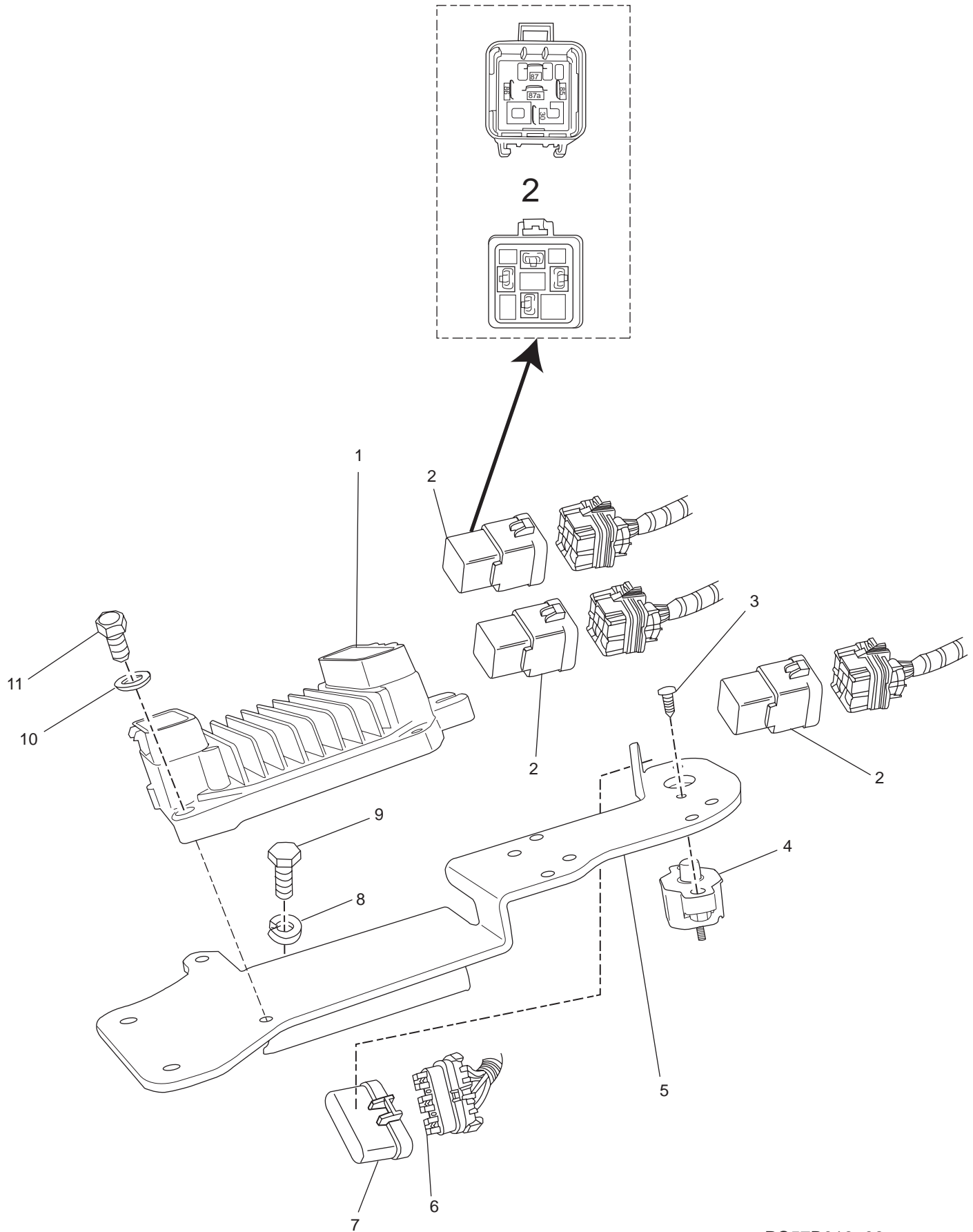
ECM and RELAYS - FIGURE 22



## ECM and RELAYS - FIGURE 22

ITEM	PART NO.	QTY.	DESCRIPTION	MODEL ID
1	R090259	1	<b>Bracket</b> , engine cover mounting	
2	RS6257	2	<b>Bolt</b> , engine cover bracket attaching	
3	93920000	2	<b>Lockwasher</b> , engine cover bracket attaching	
4	RS0251	2	<b>Bolt</b> , Isolator attaching	
5	RS2178	2	<b>Lockwasher</b> , Isolator attaching	
6	R094044	2	<b>Isolator</b> , fuse block mounting	
7	RS1078	2	<b>Nut</b> , KEPS, Fuse Block attaching	
8	98223016	2	<b>Bolt</b> , bracket attaching	
9	93920000	2	<b>Lockwasher</b> , bracket attaching	
10	R090327	1	<b>Bracket</b> , ECM/relay mounting	
11	R116023 -5G01	1	<b>Engine Control Module (5.0L - LH)</b> (ALL fuel systems, SS)	21-500-XX, 23-500-01, 50-500-XX 50-500V-01
11	R116023 -5G02	1	<b>Engine Control Module (5.0L - LH)</b> (ALL fuel systems, DS)	24-500V-01, 24-500V-02
11	R116023 -5G03	1	<b>Engine Control Module (5.0L - RH)</b> (ALL fuel systems, SS)	50-501-XX, 50-501V-01
11	R116023 -5G04	1	<b>Engine Control Module (5.0L - RH)</b> (ALL fuel systems, DS)	
11	R116023 -5A01	1	<b>Engine Control Module (5.7L - LH)</b> (ALL fuel systems, SS)	20-570-01, 20-570V-01, 21-570-01, 22-570-XX, 23-570-01, 23-570V-XX, 26-570-01, 28-570-02, 29-570V-01, 31-570-01, 50-570-XX, 50-570V-XX
11	R116023 -5A02	1	<b>Engine Control Module (5.7L - LH)</b> (ALL fuel systems, DS)	24-570V-01, 24-570V-02, 28-570-01
11	R116023 -5A03	1	<b>Engine Control Module (5.7L - RH)</b> (ALL fuel systems, SS)	50-571-XX, 50-570V-XX
11	R116023 -5A04	1	<b>Engine Control Module (5.7L - RH)</b> (ALL fuel systems, DS)	
12	98223035	4	<b>Bolt</b> , ECM attaching	
13	RS2672	4	<b>Flat washer</b> , ECM attaching	
14	97220060	4	<b>Nut</b> , KEPS, ECM attaching	
15	R143186	1	<b>Decal</b> , main fuse box	
16	R130015	2	<b>Relay</b> , Fuel Pump and Ignition	
17	R130016	1	<b>Relay</b> , Starter	
18	R153019C	1	<b>Fuse</b> , Starter, 20 Amp	
19	R153019F	1	<b>Fuse</b> , Panel, 40 Amp	
20	R153017B	2	<b>Fuses</b> , 20 amp	
21	R153017A	2	<b>Fuses</b> , 15 amp	
22	R153017C	1	<b>Fuse</b> , 5 amp	
23	R176025	4	<b>Sleeve</b> , ECM Isolator Retaining	
24	R094046	4	<b>Isolator</b> , ECM Mounting	

MODEL 07-570V-01, 07-570V-02 ECM and RELAYS - FIGURE 23



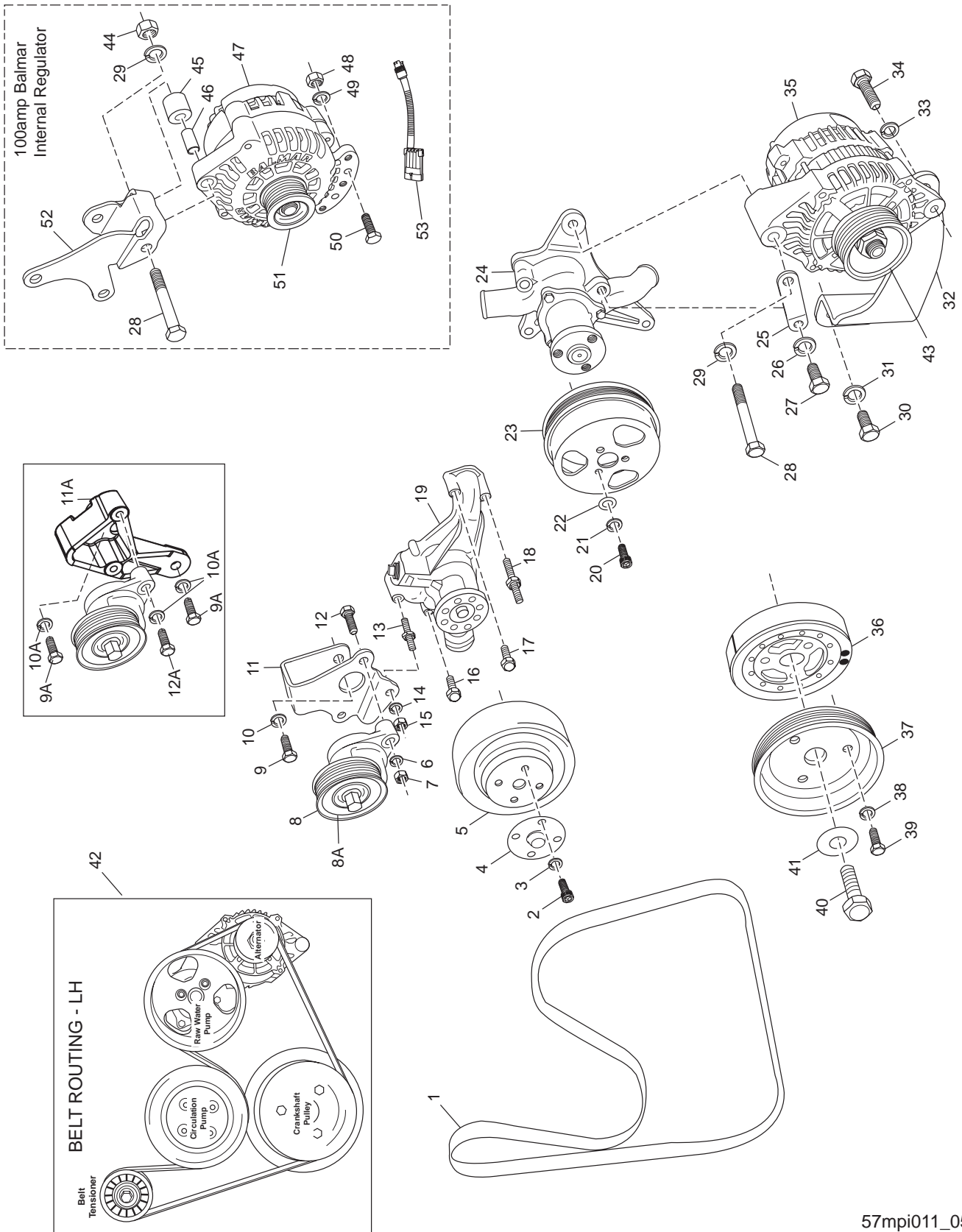
PC57B016\_06



## MODEL 07-570V-01, 07-570V-02 ECM and RELAYS - FIGURE 23

ITEM	PART NO.	QTY.	DESCRIPTION	MODEL ID
1	R116021I	1	<b>Engine Control Module (PP) (5.7L - LH)</b> Cksum - 10384 (2890)	07-570V-01
1	R116021I-07S	1	<b>Engine Control Module (single engine cruise) (5.7L - LH)</b> Cksum - 10670 (29AE)	07-570V-01
1	R116021-07T	1	<b>Engine Control Module (twin) (5.7L - LH)</b> Cksum - 9887 (269F)	07-570V-02
2	R130011A	3	<b>Relay</b> , fuel pump, ignition, starter	07-570V-01, 07-570V-02
3	RS5084	2	<b>Bolt</b> , circuit breaker mounting	07-570V-01, 07-570V-02
4	R153006C	1	<b>Circuit Breaker Assembly (60 amp)</b>	07-570V-01, 07-570V-02
5	R090250	1	<b>Bracket</b> , ECM/relay mounting	07-570V-01, 07-570V-02
6	R153017B	3	<b>Fuses</b> , 20 amp	07-570V-01, 07-570V-02
7	R126014	1	<b>Cover</b> , fuse holder	07-570V-01, 07-570V-02
8	93920000	2	<b>Lockwasher</b> , bracket attaching bolt	07-570V-01, 07-570V-02
9	98223016	2	<b>Bolt</b> , bracket attaching	07-570V-01, 07-570V-02
10	RS2178	2	<b>Washer</b> , ECM attaching	07-570V-01, 07-570V-02
11	90105075	2	<b>Bolt</b> , ECM attaching	07-570V-01, 07-570V-02

ACCESSORY DRIVE SYSTEM COMPONENTS (SERPENTINE - LH) - FIGURE 24

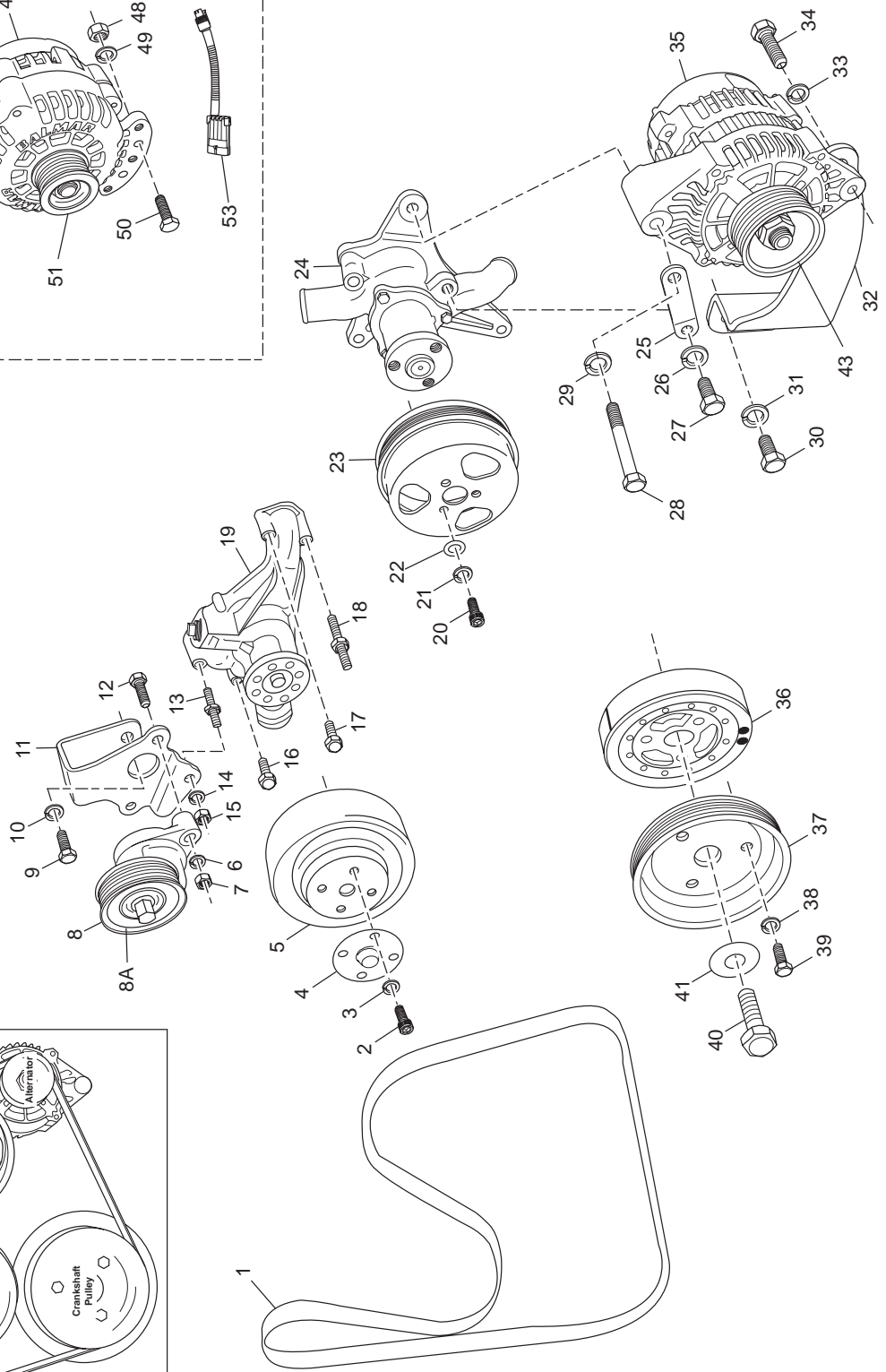
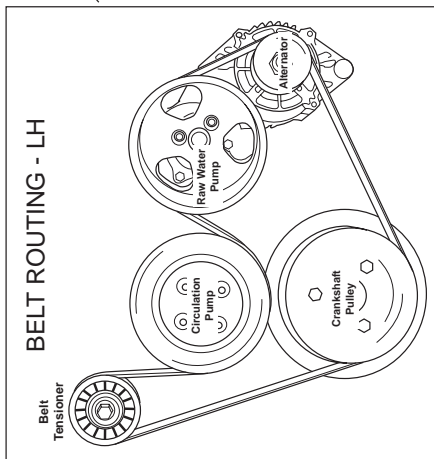
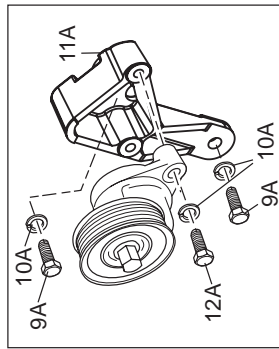
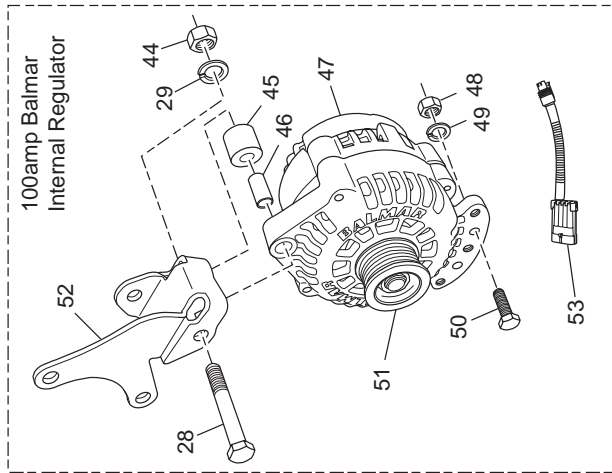


57mpi011\_05

## ACCESSORY DRIVE SYSTEM COMPONENTS (SERPENTINE - LH) - FIGURE 24

ITEM	PART NO.	QTY.	DESCRIPTION	MODEL ID
1	R066028	1	<b>Belt</b> , serpentine drive, 5.7L - LH (70 amp alternator)	22-570-01
1	R066030	1	<b>Belt</b> , serpentine drive, 5.7L - LH (100 amp alternator)	
2	90274075	4	<b>Bolt</b> , water pump pulley attaching	
3	RS2307	4	<b>Lockwasher</b> , water pump pulley attaching bolt	
4	R096147	1	<b>Cover</b> , water pump pulley	
5	R065053	1	<b>Pulley</b> , water pump	
6	RS2180	2	<b>Lockwasher</b> , belt tensioner attaching	
7	RS1028	2	<b>Nut</b> , belt tensioner attaching	
8	RA068001	1	<b>Belt Tensioner Assembly</b>	
8A	R065057	1	<b>Pulley</b> , Belt Tensioner	
9	RS0304	1	<b>Bolt</b> , tensioner bracket attaching	
9A	TBD	1	<b>Bolt</b> , cast tensioner bracket attaching	
10	RS2180	1	<b>Lockwasher</b> , tensioner bracket attaching	
10A	TBD	1	<b>Lockwasher</b> , cast tensioner bracket attaching	
11	R090287	1	<b>Bracket</b> , belt tensioner mounting	
11A	R090287A	1	<b>Bracket, Cast</b> , belt tensioner mounting (replaces R090287)	
12	RS0307	2	<b>Bolt</b> , belt tensioner attaching	
12A	TBD	2	<b>Bolt</b> , cast belt tensioner attaching	
13	R095026	1	<b>Stud</b> , water pump mounting	
14	RS2179	2	<b>Lockwasher</b> , belt tensioner attaching	
15	RS1527	2	<b>Nut</b> , belt tensioner attaching	
16	90305275	1	<b>Bolt</b> , water pump mounting	
17	90305275	1	<b>Bolt</b> , water pump mounting	
18	R095026	1	<b>Stud</b> , water pump mounting	
19	RA057027	1	<b>Water Pump Assembly</b>	
20	99335016	3	<b>Bolt</b> , RWP pulley attaching	
21	93934000	3	<b>Lockwasher</b> , RWP pulley attaching	
22	92934000	3	<b>Flatwasher</b> , RWP pulley attaching	
23	R065052	1	<b>Pulley</b> , raw water pump	
24	RA057034	1	<b>Raw Water Pump Assembly</b>	
25	R090289	1	<b>Bracket</b> , alternator mounting	
26	RS2180	1	<b>Lockwasher</b> , alternator mounting bolt	
27	RS0304	1	<b>Bolt</b> , alternator mounting	
28	RS0311	1	<b>Bolt</b> , alternator mounting	
29	RS2180	1	<b>Lockwasher</b> , alternator mounting bolt	
30	RS0304	1	<b>Bolt</b> , alternator bracket attaching	
31	RS2180	1	<b>Lockwasher</b> , alternator bracket attaching bolt	
32	R090288	1	<b>Bracket</b> , alternator mounting	
33	RS7069	1	<b>Lockwasher</b> , alternator mounting bolt	
34	RS6738	1	<b>Bolt</b> , alternator mounting	
35	RA097007C	1	<b>Alternator Assembly</b> (70 amp serpentine)	
36	R064010A	1	<b>Balancer</b> , crankshaft	
37	R065051	1	<b>Pulley</b> , serpentine drive belt	
38	RS2180	3	<b>Lockwasher</b> , drive belt pulley attaching bolt	
39	90315100	3	<b>Bolt</b> , drive belt pulley attaching	
40	R009091	1	<b>Bolt</b> , crankshaft balancer	

ACCESSORY DRIVE SYSTEM COMPONENTS (SERPENTINE - LH) - FIGURE 24 (cont'd)

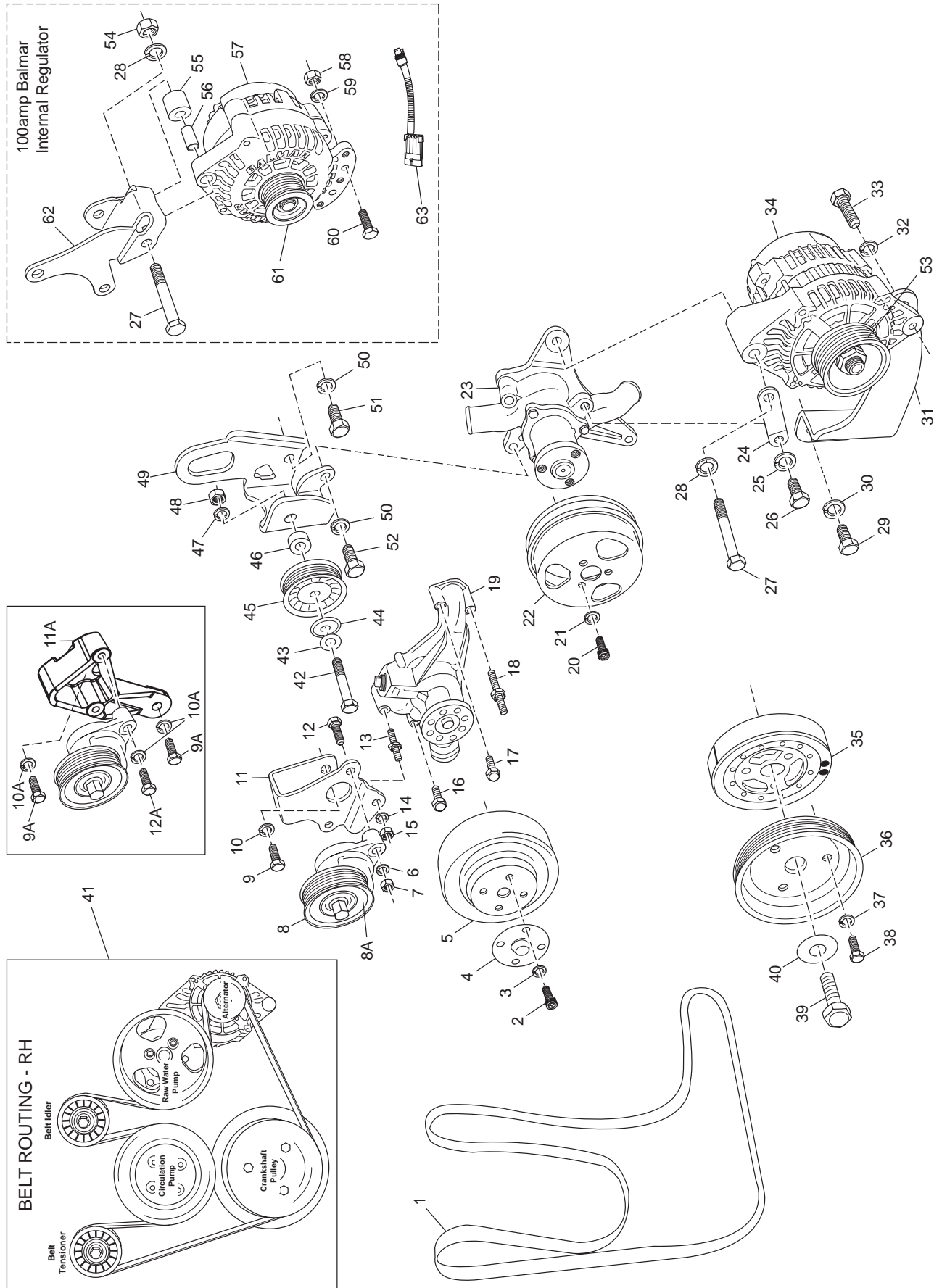


57mpi011\_05

## ACCESSORY DRIVE SYSTEM COMPONENTS (SERPENTINE - LH) - FIGURE 24 (cont'd)

ITEM	PART NO.	QTY.	DESCRIPTION	MODEL ID
41	R096074	1	<b>Washer</b> , crankshaft balancer	
N.I.	97224000	2	<b>Nut</b> , alternator wire attaching	
N.I.	93920000	2	<b>Lockwasher</b> , alternator wire attaching	
42	R143165	1	<b>Decal</b> , belt routing (5.7L)	
43	R065055	1	<b>Pulley</b> , Alternator (5.X/6.0L), Serpentine	
44	RS1028	1	<b>Nut</b> , 100 amp alternator attaching	22-570-01
45	R062084	1	<b>Spacer</b> , 100 amp alternator attaching (upper)	22-570-01
46	R176023	1	<b>Bushing</b> , 100 amp alternator attaching (upper)	22-570-01
47	RA097010	1	<b>100 Amp Alternator Assembly</b>	22-570-01
48	RS7026	1	<b>Nut</b> , 100 amp alternator attaching (lower)	22-570-01
49	RS2179	1	<b>Lockwasher</b> , 100 amp alternator attaching (lower)	22-570-01
50	RS6531	1	<b>Bolt</b> , 100 amp alternator attaching (lower)	22-570-01
51	TBD	1	<b>Pulley</b> , 100 amp alternator serpentine	22-570-01
52	R090314	1	<b>Bracket</b> , 100 amp alternator mounting	22-570-01
53	R121081	1	<b>Adapter</b> , 100 amp alternator harness	22-570-01
N.I.	R101016	1	<b>Wire</b> , Ground, alternator (54", 5.0/5.7/8.1L) (100A)	22-570-01
N.I.	R101015	1	<b>Wire</b> , Ground, alternator (54", 5.0/5.7/8.1L) (70A)	
N.I.	R101017	1	<b>Wire</b> , Charge, alternator (5.0/5.7L)	07-570V-XX
N.I.	R153018A	1	<b>Wire</b> , Fused, starter to circuit breaker	07-570V-XX
N.I.	R153018D	1	<b>Wire</b> , Fused, starter to alternator	

ACCESSORY DRIVE SYSTEM COMPONENTS (SERPENTINE - RH) - FIGURE 25



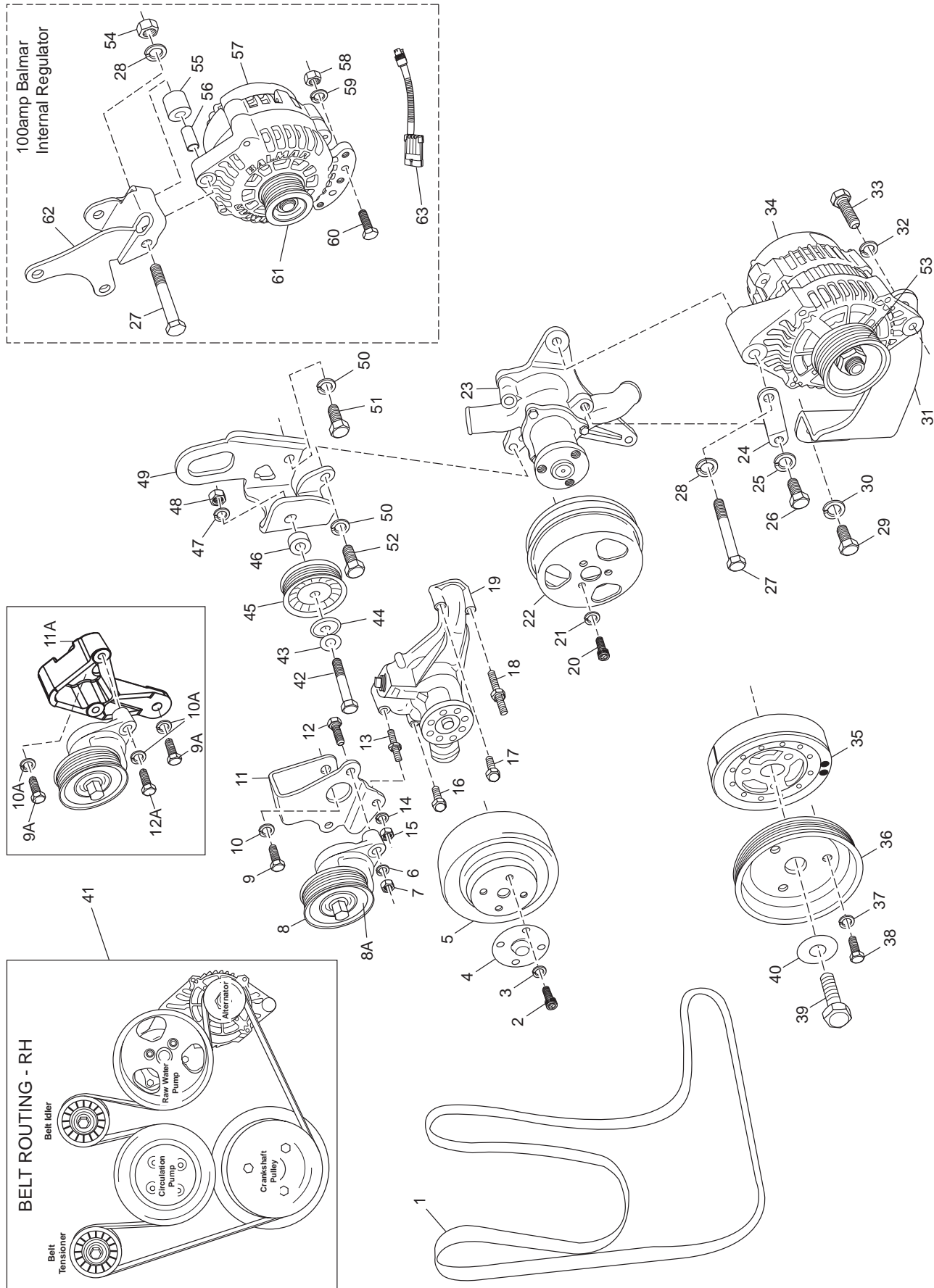
57mpi011\_05RH

## ACCESSORY DRIVE SYSTEM COMPONENTS (SERPENTINE - RH) - FIGURE 25

ITEM	PART NO.	QTY.	DESCRIPTION	MODEL ID
1	R066029A	1	<b>Belt</b> , serpentine drive, 5.7L (RH) (70 amp alternator)	
1	R066031	1	<b>Belt</b> , serpentine drive, 5.7L (RH) (100 amp alternator)	
2	90274075	4	<b>Bolt</b> , water pump pulley attaching	
3	RS2307	4	<b>Lockwasher</b> , water pump pulley attaching bolt	
4	R096147	1	<b>Cover</b> , water pump pulley	
5	R065053	1	<b>Pulley</b> , water pump	
6	RS2180	2	<b>Lockwasher</b> , belt tensioner attaching	
7	RS1028	2	<b>Nut</b> , belt tensioner attaching	
8	RA068001	1	<b>Belt Tensioner Assembly</b>	
8A	R065057	1	<b>Pulley</b> , Belt Tensioner	
9	RS0304	1	<b>Bolt</b> , tensioner bracket attaching	
9A	TBD	1	<b>Bolt</b> , cast tensioner bracket attaching	
10	RS2180	1	<b>Lockwasher</b> , tensioner bracket attaching	
10A	TBD	1	<b>Lockwasher</b> , cast tensioner bracket attaching	
11	R090287	1	<b>Bracket</b> , belt tensioner mounting	
11A	R090287A	1	<b>Bracket, Cast</b> , belt tensioner mounting (replaces R090287)	
12	RS0307	2	<b>Bolt</b> , belt tensioner attaching	
12A	TBD	2	<b>Bolt</b> , cast belt tensioner attaching	
13	R095026	1	<b>Stud</b> , water pump mounting	
14	RS2179	2	<b>Lockwasher</b> , belt tensioner attaching	
15	RS1527	2	<b>Nut</b> , belt tensioner attaching	
16	90305275	1	<b>Bolt</b> , water pump mounting	
17	90305275	1	<b>Bolt</b> , water pump mounting	
18	R095026	1	<b>Stud</b> , water pump mounting	
19	RA057027	1	<b>Water Pump Assembly</b>	
20	99335016	3	<b>Bolt</b> , RWP pulley attaching	
21	93934000	3	<b>Lockwasher</b> , RWP pulley attaching	
22	R065052A	1	<b>Pulley</b> , raw water pump (RH)	
23	RA057034	1	<b>Raw Water Pump Assembly</b>	
24	R090289	1	<b>Bracket</b> , alternator mounting	
25	RS2180	1	<b>Lockwasher</b> , alternator mounting bolt	
26	RS0304	1	<b>Bolt</b> , alternator mounting	
27	RS0311	1	<b>Bolt</b> , alternator mounting	
28	RS2180	1	<b>Lockwasher</b> , alternator mounting bolt	
29	RS0304	1	<b>Bolt</b> , alternator bracket attaching	
30	RS2180	1	<b>Lockwasher</b> , alternator bracket attaching bolt	
31	R090288	1	<b>Bracket</b> , alternator mounting	
32	RS7069	1	<b>Lockwasher</b> , alternator mounting bolt	
33	RS6738	1	<b>Bolt</b> , alternator mounting	



ACCESSORY DRIVE SYSTEM COMPONENTS (SERPENTINE - RH) - FIGURE 25 (cont'd)



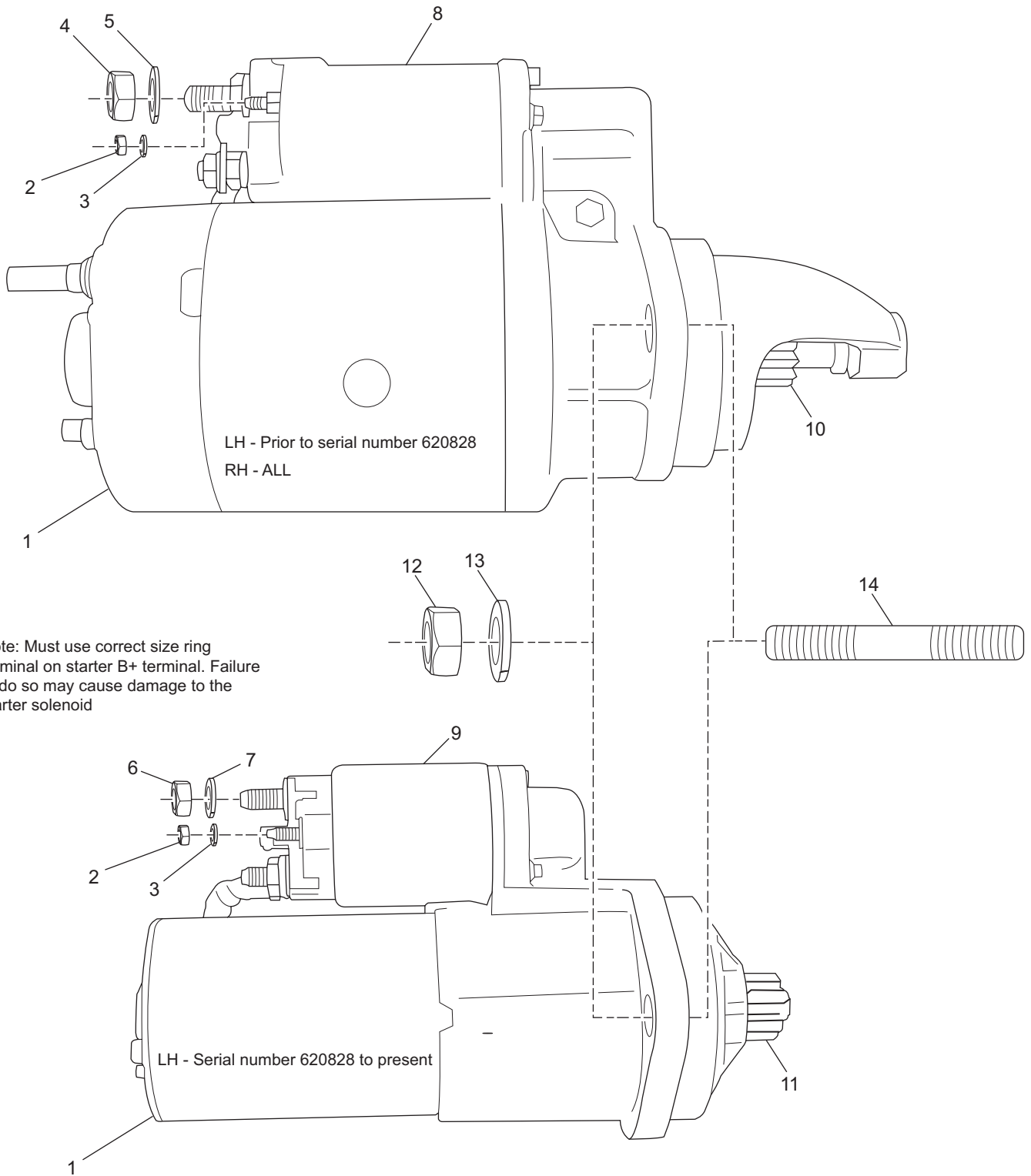
57mpi011\_05RH



## ACCESSORY DRIVE SYSTEM COMPONENTS (SERPENTINE - RH) - FIGURE 25 (cont'd)

ITEM	PART NO.	QTY.	DESCRIPTION	MODEL ID
34	RA097007C	1	<b>Alternator Assembly</b> (70 amp serpentine)	
35	R064010A	1	<b>Balancer</b> , crankshaft	
36	R065051	1	<b>Pulley</b> , serpentine drive belt	
37	RS2180	3	<b>Lockwasher</b> , drive belt pulley attaching bolt	
38	90315100	3	<b>Bolt</b> , drive belt pulley attaching	
39	R009091	1	<b>Bolt</b> , crankshaft balancer	
40	R096074	1	<b>Washer</b> , crankshaft balancer	
N.I.	97224000	2	<b>Nut</b> , alternator wire attaching	
N.I.	93920000	2	<b>Lockwasher</b> , alternator wire attaching	
41	R143165A	1	<b>Decal</b> , belt routing, 5.7L (RH)	
42	98443050	1	<b>Bolt</b> , Idler Pulley attaching	
43	92940000	1	<b>Flat Washer</b> , Idler Pulley attaching	
44	R096145	1	<b>Flat Washer</b> , Idler Pulley attaching	
45	R065054	1	<b>Pulley</b> , Idler	
46	R062083	1	<b>Spacer</b> , Idler Pulley	
47	97440000	1	<b>Lock Washer</b> , Idler Pulley attaching	
48	RS7027	1	<b>Nut</b> , Idler Pulley attaching	
49	R090307	1	<b>Bracket</b> , Idler pulley 5.7 (RH)	
50	RS2180	2	<b>Lock Washer</b> , Idler bracket attaching	
51	RS0304	1	<b>Bolt</b> , Idler bracket attaching, upper	
52	RS0306	1	<b>Bolt</b> , Idler bracket attaching, lower	
53	R065055	1	<b>Pulley</b> , Alternator (5.X/6.0L), Serpentine	
54	RS1028	1	<b>Nut</b> , 100 amp alternator attaching	
55	R062084	1	<b>Spacer</b> , 100 amp alternator attaching (upper)	
56	R176023	1	<b>Bushing</b> , 100 amp alternator attaching (upper)	
57	RA097010	1	<b>100 Amp Alternator Assembly</b>	
58	RS7026	1	<b>Nut</b> , 100 amp alternator attaching (lower)	
59	RS2179	1	<b>Lockwasher</b> , 100 amp alternator attaching (lower)	
60	RS6531	1	<b>Bolt</b> , 100 amp alternator attaching (lower)	
61	TBD	1	<b>Pulley</b> , 100 amp alternator serpentine	
62	R090314	1	<b>Bracket</b> , 100 amp alternator mounting	
63	R121081	1	<b>Adapter</b> , 100 amp alternator harness	
N.I.	R101016	1	<b>Wire</b> , Ground, alternator (100A)	
N.I.	R101015	1	<b>Wire</b> , Ground, alternator (70A)	
N.I.	R153018D	1	<b>Wire</b> , Fused, starter to Alternator	

STARTER ASSEMBLY COMPONENTS - FIGURE 26

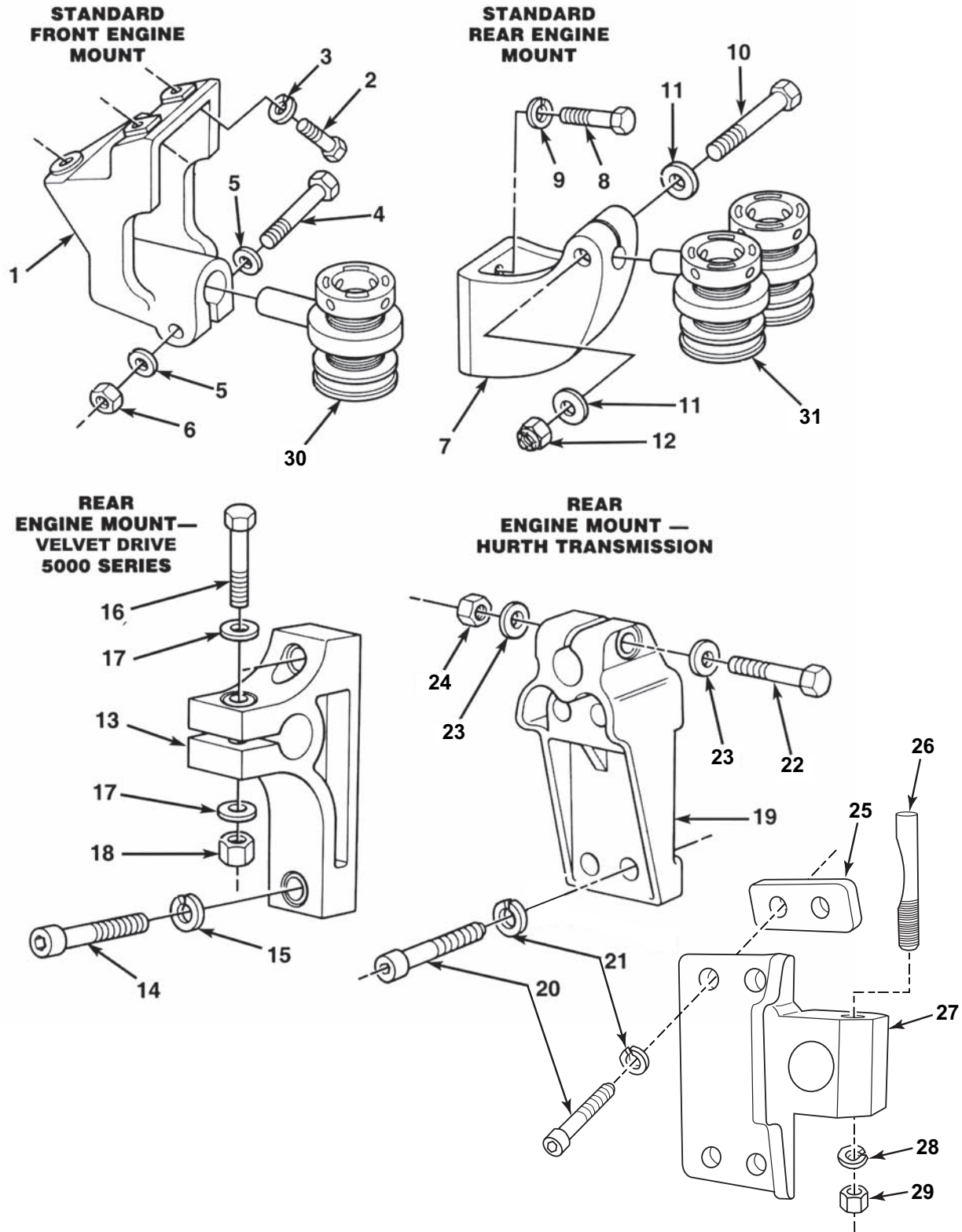


PC57B016CR

## STARTER ASSEMBLY COMPONENTS - FIGURE 26

ITEM	PART NO.	QTY.	DESCRIPTION	MODEL ID
1	RA122009	1	<b>Starter Motor Assembly</b> (LH rotation)	50-571x-ALL, 50-501x-ALL
1	RA122008	1	<b>Starter Motor Assembly</b> (RH rotation)	
2	RS7036	1	<b>Nut</b> , solenoid terminal	
3	93003000	1	<b>Lockwasher</b> , solenoid terminal	
4	RS7019	1	<b>Nut</b> , solenoid terminal	
5	RS7081	1	<b>Lockwasher</b> , solenoid terminal	
6	RS7018	1	<b>Nut</b> , solenoid terminal	
7	RS7080	1	<b>Lockwasher</b> , solenoid terminal	
8	RU0050	1	<b>Solenoid Assembly</b> , starter	
9	RU0050B	1	<b>Solenoid Assembly</b> , starter	
10	RU0051	1	<b>Drive Assembly</b> , clutch (LH)	
10	RU0052	1	<b>Drive Assembly</b> , clutch (RH)	
11	TBD	1	<b>Drive</b> , starter	
12	RS1029	2	<b>Nut</b> , starter mounting	
13	RS2181	2	<b>Lockwasher</b> , starter mounting	
14	R031018	2	<b>Stud</b> , starter mounting	

ENGINE and TRANSMISSION MOUNTS - FIGURE 27

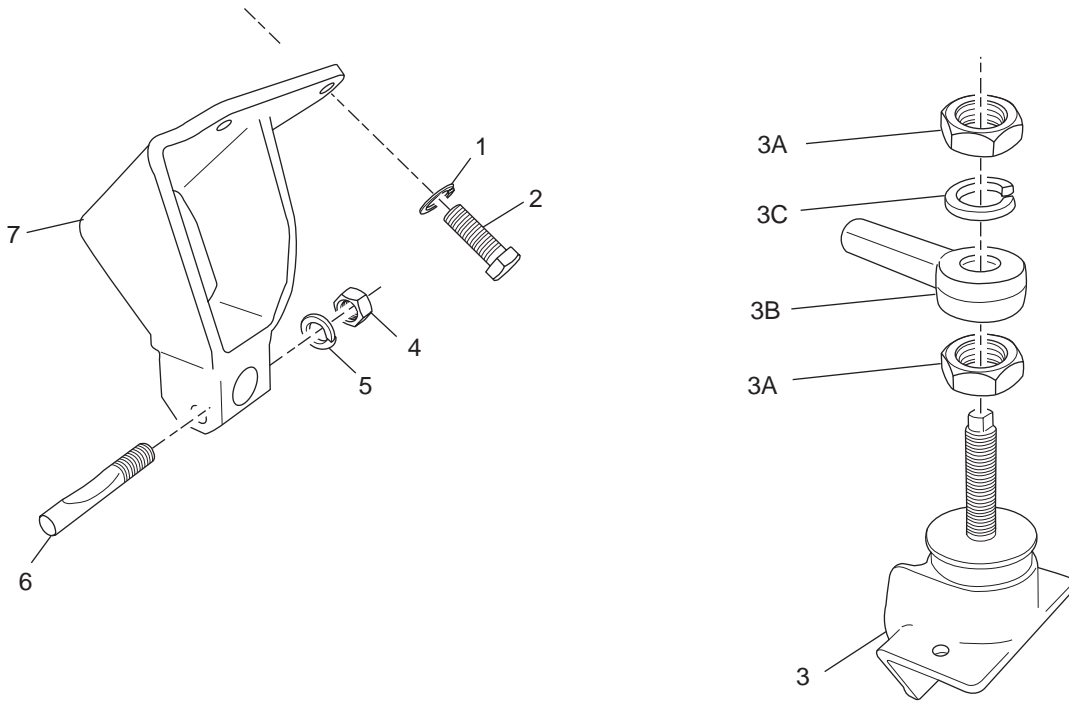


PC81017

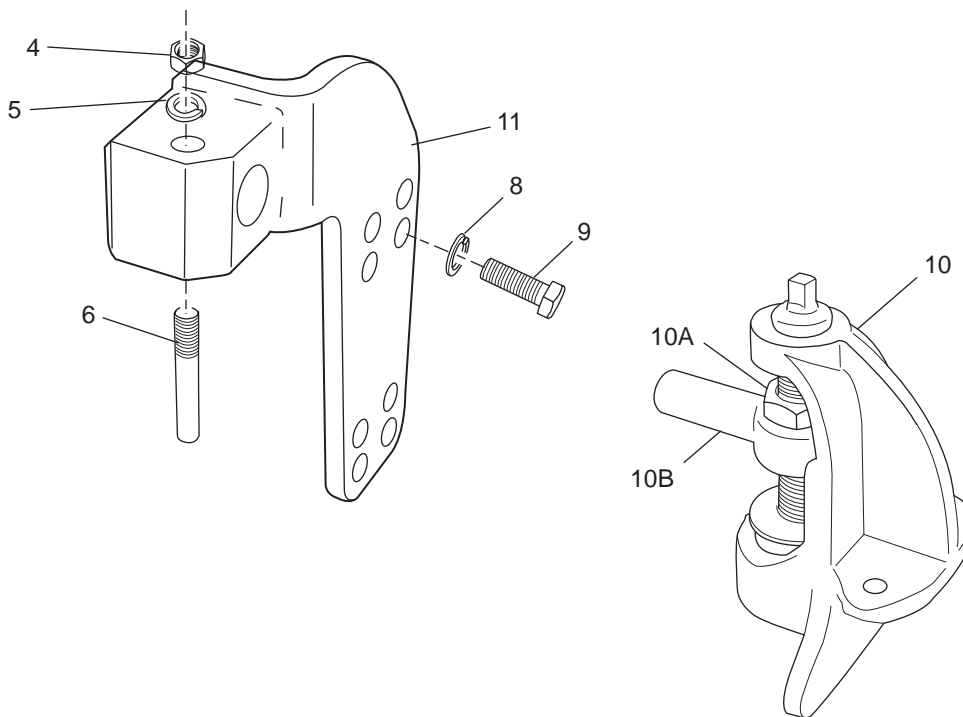
## ENGINE and TRANSMISSION MOUNTS - FIGURE 27

ITEM	PART NO.	QTY.	DESCRIPTION	MODEL ID
			<b>**Standard Front Engine Mount**</b>	
1	97938	2	<b>Bracket</b> , engine mounting (front)	
2	RS0305	4	<b>Bolt</b> , socket head	
2	RS3442	2	<b>Stud</b>	
N.S.	RS1028	2	<b>Nut</b> , attaching	
3	RS2180	6	<b>Lockwasher</b> , bracket mounting bolt	
4	90318225	2	<b>Bolt</b> , trunnion shaft (2 1/4")	
5	92300000	4	<b>Washer</b> , trunnion bolt	
6	95310300	2	<b>Nut</b> , trunnion bolt - locking	
			<b>**Standard Rear Engine Mount**</b>	
7	97917	2	<b>Bracket</b> , engine mounting (Rear)	
8	RS0328	4	<b>Bolt</b> , bracket to transmission (1 1/4")	
9	RS2181	4	<b>Lockwasher</b> , bracket mounting bolt	
10	90318325	2	<b>Bolt</b> , trunnion shaft (3 1/4")	
11	92300000	4	<b>Washer</b> , trunnion bolt	
12	95310300	2	<b>Nut</b> , trunnion bolt - locking	
			<b>**Rear Engine Mount - Velvet Drive 5000 Series**</b>	
13	98224	1	<b>Bracket</b> , transmission mounting (Starboard)	
13	98225	1	<b>Bracket</b> , transmission mounting (Port)	
14	RS6336	4	<b>Bolt</b> , bracket to transmission (12 mm x 60 mm)	
15	RS7071	4	<b>Lockwasher</b> (12 mm)	
16	90318325	2	<b>Bolt</b> , trunnion shaft (3 1/4")	
17	92300000	4	<b>Washer</b> , trunnion bolt	
18	95310300	2	<b>Nut</b> , trunnion bolt - locking	
			<b>**Rear Engine Mount - Hurth Transmission**</b>	
19	R090174A	2	<b>Bracket</b> , engine mounting (rear)	
20	RS6331	4	<b>Bolt</b> , bracket to transmission (12 mm x 35 mm)	
20	RS6336	4	<b>Bolt</b> , bracket to transmission (12 mm x 60 mm)	
21	RS7071	8	<b>Lockwasher</b> (12 mm)	
22	90318325	2	<b>Bolt</b> , trunnion shaft (3 1/4")	
23	92300000	4	<b>Washer</b> , trunnion bolt	
24	95310300	2	<b>Nut</b> , trunnion bolt - locking	
25	R109049	2	<b>Spacer</b> , bracket to transmission	
26	R095020	2	<b>Bolt</b> , trunnion shaft	
27	R090217	1	<b>Bracket</b> , engine mounting (port)	
27	R090218	1	<b>Bracket</b> , engine mounting (starboard)	
28	RS2181	2	<b>Lockwasher</b> , trunnion bolt	
29	RS1529	2	<b>Nut</b> , trunnion bolt - locking	
			<b>**Mount Supports**</b>	
30	97926	2	<b>Mount</b> , engine support (single front)	
31	97905	2	<b>Mount</b> , engine support (dual rear)	

**OPTIONAL FRONT MOUNT**



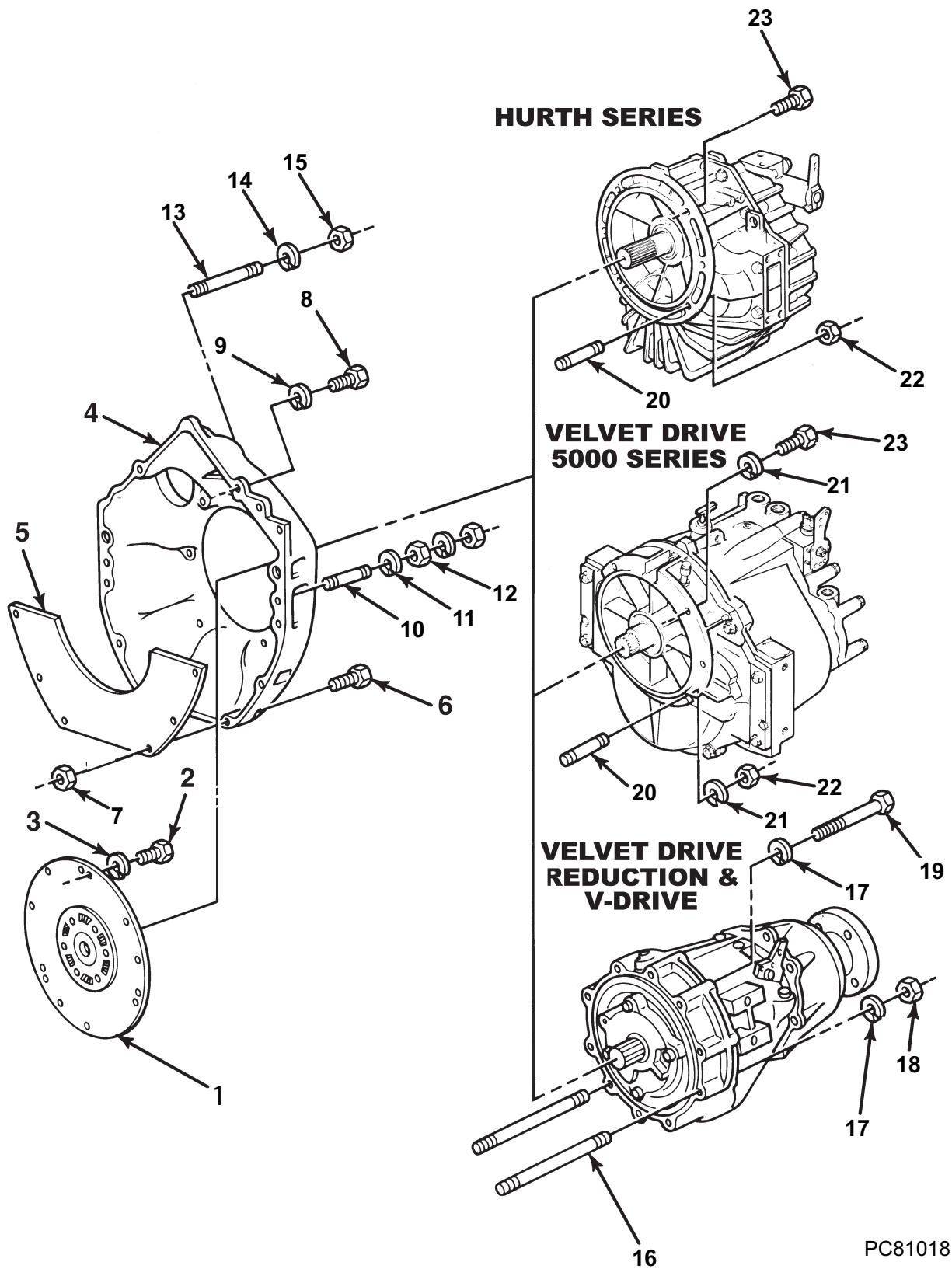
**OPTIONAL REAR MOUNT -  
HURTH GEAR**



## MODEL 07-570V-01, 07-570V-02 ENGINE and TRANSMISSION MOUNTS - FIGURE 28

ITEM	PART NO.	QTY.	DESCRIPTION	MODEL ID
1	RS2180	6	<b>Lockwasher</b> , bracket mounting bolt	07-570V-01, 07-570V-02
2	RS0305	4	<b>Bolt</b> , socket head	07-570V-01, 07-570V-02
3	RC091001	2	<b>Trunnion Assembly</b>	07-570V-01, 07-570V-02
3A	RS1075	4	<b>Nut</b> , adjustment and lock	07-570V-01, 07-570V-02
3B	RC091001	2	<b>Trunnion, long</b>	07-570V-01, 07-570V-02
3C	RS2186	2	<b>Lockwasher</b> , adjusting nut	07-570V-01, 07-570V-02
4	RS1529	2	<b>Nut</b> , trunnion bolt - locking	07-570V-01, 07-570V-02
5	RS2181	2	<b>Lockwasher</b> , trunnion bolt	07-570V-01, 07-570V-02
6	R095020	2	<b>Bolt</b> , trunnion shaft	07-570V-01, 07-570V-02
7	R090332	2	<b>Bracket</b> , engine mounting (front, port)	07-570V-01, 07-570V-02
7	R090333	2	<b>Bracket</b> , engine mounting (front, starboard)	07-570V-01, 07-570V-02
8	RS7071	8	<b>Lockwasher</b> (12 mm)	07-570V-01, 07-570V-02
9	RS6336	4	<b>Bolt</b> , bracket to transmission (12 mm x 60 mm)	07-570V-01, 07-570V-02
10	RA092011	2	<b>Trunnion Assembly</b> , tall	07-570V-01, 07-570V-02
10A	R091003	2	<b>Trunnion</b> , 2.5"	07-570V-01, 07-570V-02
10B	RS1075	2	<b>Nut</b> , adjustment and lock	07-570V-01, 07-570V-02
11	R090328	1	<b>Bracket</b> , engine mounting (rear - port)	07-570V-01, 07-570V-02
11	R090329	1	<b>Bracket</b> , engine mounting (rear - starboard)	07-570V-01, 07-570V-02
NI	R090328A	1	<b>Bracket</b> , engine mounting (rear - port)	07-570-01
NI	R090329A	1	<b>Bracket</b> , engine mounting (rear - starboard)	07-570-01

BELL HOUSING ASSEMBLY - FIGURE 29



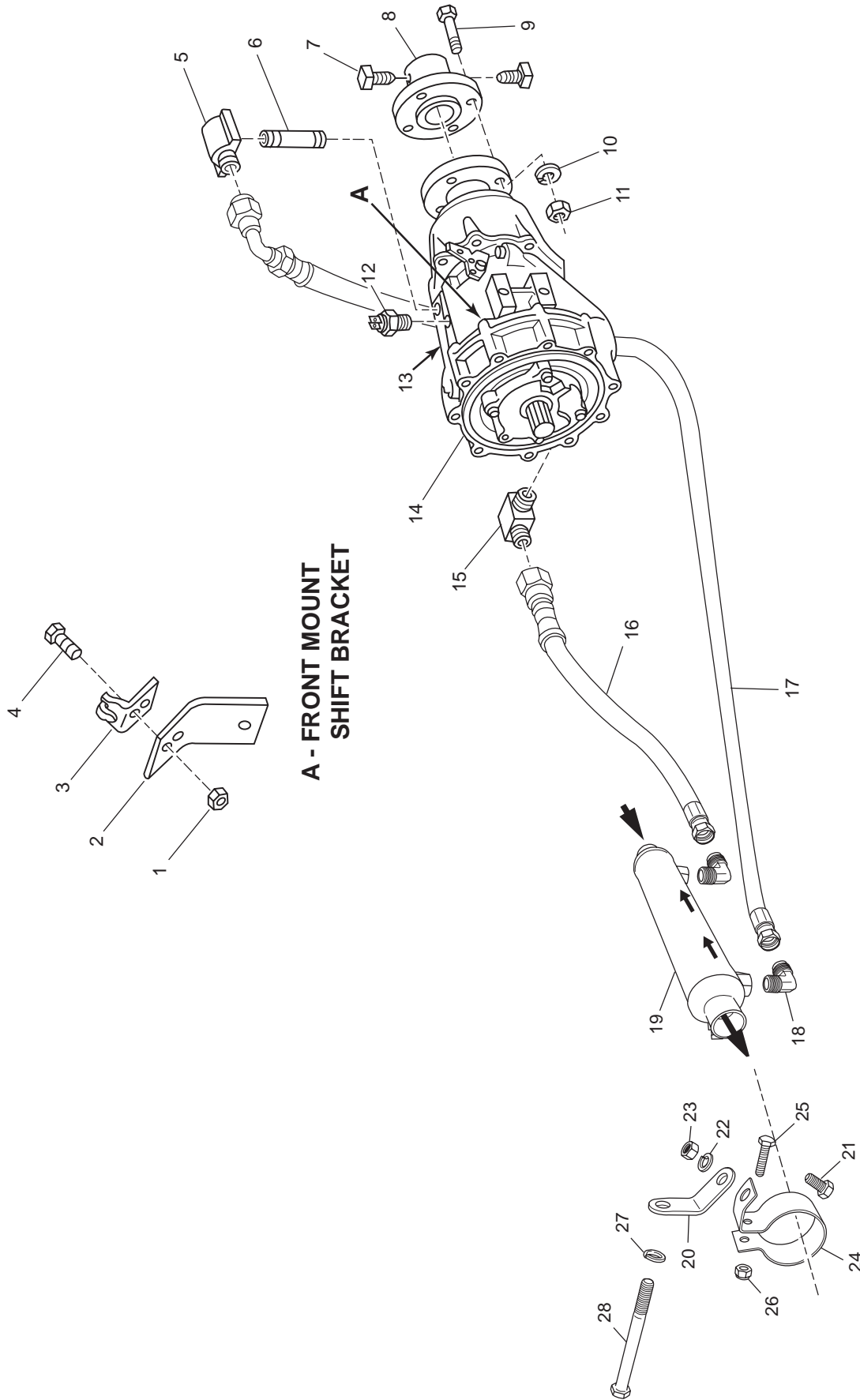
PC81018



## BELL HOUSING ASSEMBLY - FIGURE 29

ITEM	PART NO.	QTY.	DESCRIPTION	MODEL ID
1	R140019	1	<b>Drive Damper Assembly</b> , (Hurth - LH rotation Only)	07-570-01
1	98511	1	<b>Drive Damper Assembly</b> , (Standard Velvet Drive and ALL RH rotation)	
2	R009092	6	<b>Bolt</b> , damper to flywheel (1")	
3	RS2180	6	<b>Lockwasher</b> , damper bolt	
4	R142014	1	<b>Bellhousing</b> , flywheel	
4	R142014B	1	<b>Bellhousing</b> , flywheel	
5	R019008	1	<b>Cover</b> , bellhousing (use w/top mount starter)	
5	R019008A	1	<b>Cover</b> , bellhousing (use w/bottom mount starter)	
NI	R019010	1	<b>Cover</b> , top mount starter (used w/R019008A)	
NI	RS0327	2	<b>Bolt</b> , dust cover attaching	
NI	RS2181	2	<b>Lockwasher</b> , dust cover attaching	
6	RS0256	5	<b>Bolt</b> , cover to bellhousing (1")	
6	90105125	1	<b>Bolt</b> , cover to bellhousing (1 1/4")	
7	RS1078	6	<b>Nut</b> , cover bolt	
8	98443050	2	<b>Bolt</b> , bellhousing to block	
8	99443030	1	<b>Bolt</b> , SHCS (behind starter)	
9	93940000	2	<b>Lockwasher</b> , bellhousing bolt	
10	R031033	2	<b>Stud</b> , bellhousing mounting	
11	RS2180	4	<b>Lockwasher</b> , mounting stud	
12	RS1028	4	<b>Nut</b> , mounting stud	
13	R031018	2	<b>Stud</b> , starter mounting (1 5/8")	
14	RS2181	2	<b>Lockwasher</b> , starter mounting stud	
15	RS1029	2	<b>Nut</b> , starter mounting stud  <b>**Velvet Drive Reduction &amp; "V"-Drive**</b>	
16	96541	2	<b>Stud</b> , transmission mounting (4")	
17	RS2181	6	<b>Lockwasher</b> , transmission mounting	
18	RS1029	2	<b>Nut</b> , transmission mounting stud	
19	RS0337	4	<b>Bolt</b> , transmission mounting  <b>**Velvet Drive 5000 &amp; Hurth Gears**</b>	
20	R031018	2	<b>Stud</b> , transmission mounting (1 5/8")	
21	RS2180	6	<b>Lockwasher</b> , transmission mounting	
22	RS1029	2	<b>Nut</b> , transmission mounting stud	
23	RS0329	4	<b>Bolt</b> , transmission mounting	

TRANSMISSION AND RELATED COMPONENTS (VELVET DRIVE IN-LINE) - FIGURE 30

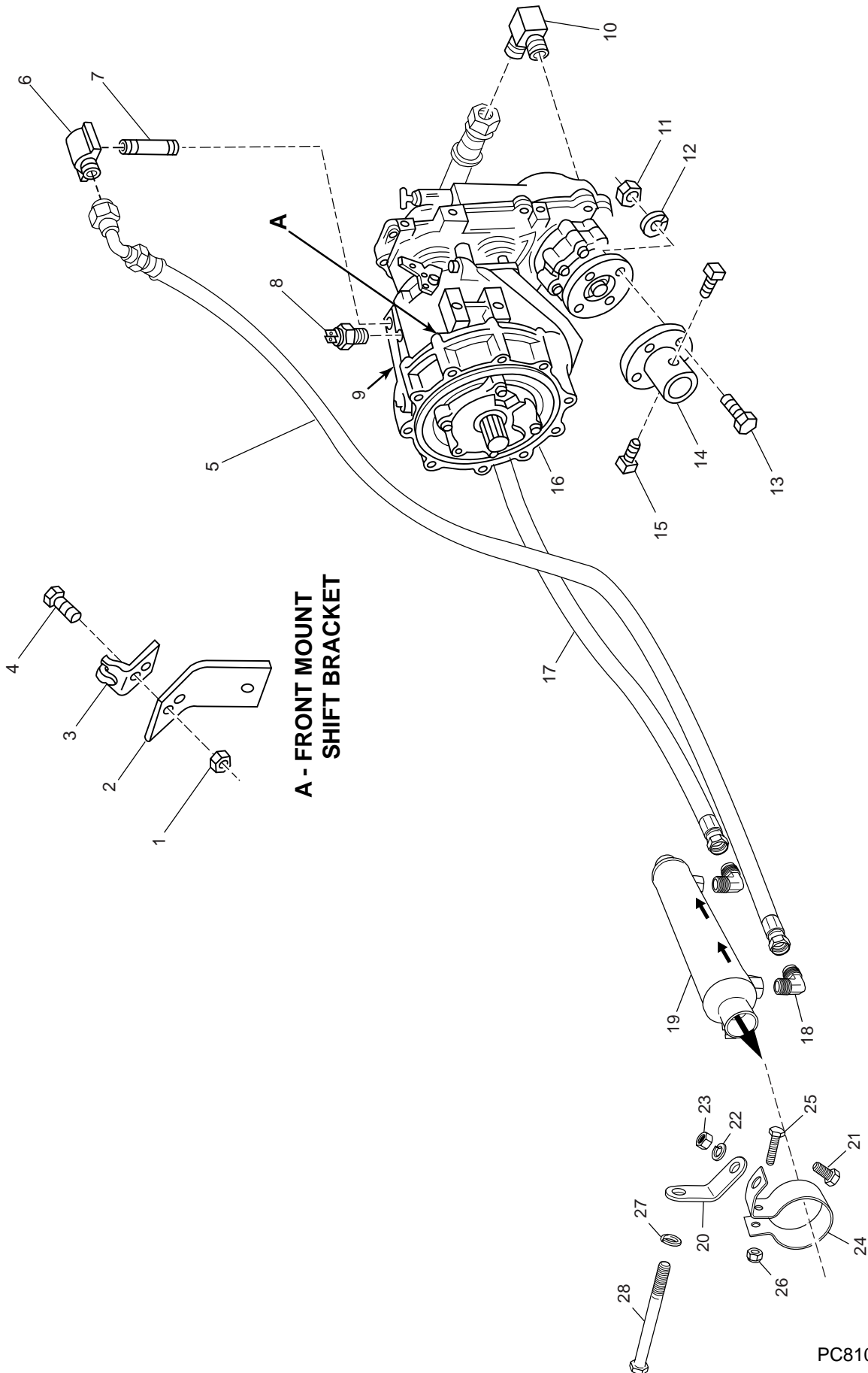


PC81019CR\_06

## TRANSMISSION AND RELATED COMPONENTS (VELVET DRIVE IN-LINE) - FIGURE 30

ITEM	PART NO.	QTY.	DESCRIPTION	MODEL ID
1	RS2055	2	<b>Nut</b> , attaching bolt	
2	96341	1	<b>Shift Bracket</b> (front mount)	
3	R090086	1	<b>Cable Clip</b> , single cable	
3	22232	OPT	<b>Cable Clip</b> , dual cable clip (not shown)	
4	RS5122	2	<b>Bolt</b> , clip attaching (1/2")	
5	R024008	1	<b>Elbow</b> , hose - transmission (90 degree)	
6	RS4674	1	<b>Nipple</b> , pipe (3")	
7	RS3337A	2	<b>Screw</b> , set - coupler	
8	R148001	OPT	<b>Coupler</b> , prop shaft (1" shaft)	
8	R148002	OPT	<b>Coupler</b> , prop shaft (1 1/8" shaft)	
8	R148003	OPT	<b>Coupler</b> , prop shaft (1 1/4" shaft)	
8	R148004	OPT	<b>Coupler</b> , prop shaft (1 3/8" shaft)	
8	R148005	OPT	<b>Coupler</b> , prop shaft (1 1/2" shaft)	
8	R148007	OPT	<b>Coupler</b> , prop shaft (1 3/4" shaft)	
8	R148008	OPT	<b>Coupler</b> , prop shaft (2" shaft)	
9	22136	4	<b>Bolt</b> , coupling (1 1/2")	
10	RS2181	4	<b>Lockwasher</b> , coupling bolt	
11	RS1529	4	<b>Nut</b> , coupling bolt	
12	R020037	1	<b>Sender</b> , temperature alarm	
13	R153002	1	<b>Switch Kit</b> , neutral start (not shown)	
13A	25542	1	<b>Switch &amp; O-Ring Assembly</b> (not shown)	
14	RA157001	1	<b>Transmission</b> (71C, 1:1 Direct Drive)	
14	RA157002	1	<b>Transmission</b> (71C, 1.52:1 Reduction)	
14	RA157003	1	<b>Transmission</b> (72C, 1:1 Direct Drive)	
14	RA157004	1	<b>Transmission</b> (72C, 1.52:1 Reduction)	
14	RA157004A	1	<b>Transmission</b> (1.88:1 Reduction)	
14	RA157004D	1	<b>Transmission</b> (2.57:1 Reduction)	
14	RA157004E	1	<b>Transmission</b> (2.91:1 Reduction)	
15	R024010	1	<b>Elbow</b> , hose - transmission (90 degree)	
16	RA045007H	1	<b>Hose Assembly</b> , cooler to transmission	
17	RA045007N	1	<b>Hose Assembly</b> , transmission to cooler	
18	R024010	2	<b>Fitting</b> , 90 degree	
19	R147006	1	<b>Cooler Assembly</b> , transmission oil	
20	R090304	1	<b>Bracket</b> , transmission cooler attaching	
21	RS0302	1	<b>Bolt</b> , oil cooler attaching	
22	RS2180	1	<b>Lockwasher</b> , oil cooler attaching	
23	RS2058	1	<b>Nut</b> , oil cooler attaching	
24	R090010	1	<b>Clamp</b> , oil cooler mounting	
25	RS0256	1	<b>Bolt</b> , oil cooler clamp	
26	RS1028	1	<b>Nut</b> , oil cooler clamp	
27	RS2180	1	<b>Lockwasher</b> , cooler bracket mounting	
28	RS0316	1	<b>Bolt</b> , cooler bracket mounting (exhaust manifold bolt)	

TRANSMISSION AND RELATED COMPONENTS (VELVET DRIVE "V"-DRIVE) - FIGURE 31

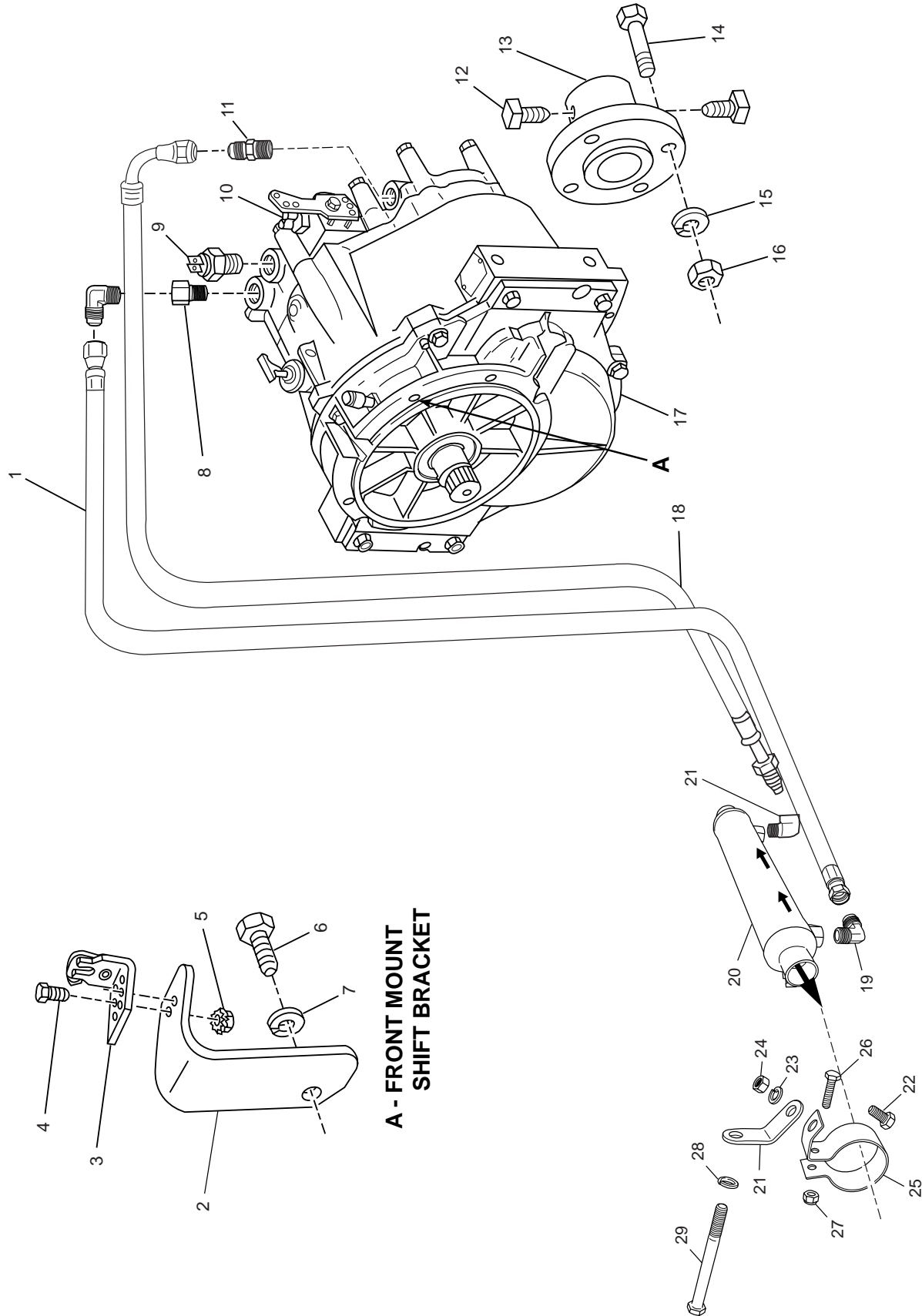


PC81020CR\_06

## TRANSMISSION AND RELATED COMPONENTS (VELVET DRIVE "V"-DRIVE) - FIGURE 31

ITEM	PART NO.	QTY.	DESCRIPTION	MODEL ID
1	RS2055	2	<b>Nut</b> , attaching bolt	
2	96341	1	<b>Shift Bracket</b> (front mount)	
3	R090086	1	<b>Cable Clip</b> , single cable	
3	22232	OPT	<b>Cable Clip</b> , dual cable clip (not shown)	
4	RS5122	2	<b>Bolt</b> , clip attaching (1/2")	
5	RA045007N	1	<b>Hose Assembly</b> , transmission to cooler	
6	R024008	1	<b>Elbow</b> , hose - transmission (90 degree)	
7	RS4674	1	<b>Nipple</b> , pipe (3")	
8	R020037	1	<b>Sender</b> , temperature alarm	
9	R153002	1	<b>Switch Kit</b> , neutral start (not shown)	
9A	25542	1	<b>Switch &amp; O-Ring Assembly</b> (not shown)	
10	R024010	1	<b>Elbow</b> , hose - transmission (90 degree)	
11	RS1529	4	<b>Nut</b> , coupling bolt	
12	RS2181	4	<b>Lockwasher</b> , coupling bolt	
13	22136	4	<b>Bolt</b> , coupling (1 1/2")	
14	R148001	OPT	<b>Coupler</b> , prop shaft (1" shaft)	
14	R148002	OPT	<b>Coupler</b> , prop shaft (1 1/8" shaft)	
14	R148003	OPT	<b>Coupler</b> , prop shaft (1 1/4" shaft)	
14	R148004	OPT	<b>Coupler</b> , prop shaft (1 3/8" shaft)	
14	R148005	OPT	<b>Coupler</b> , prop shaft (1 1/2" shaft)	
14	R148007	OPT	<b>Coupler</b> , prop shaft (1 3/4" shaft)	
14	R148008	OPT	<b>Coupler</b> , prop shaft (2" shaft)	
15	RS3337A	2	<b>Screw</b> , set - coupler	
16	RA156002B	1	<b>Transmission</b> (1.51:1 Reduction)	
16	RA156002D	1	<b>Transmission</b> (1.99:1 Reduction)	
16	RA156002E	1	<b>Transmission</b> (2.49:1 Reduction)	
17	RA045007N	1	<b>Hose Assembly</b> , cooler to transmission	
18	R024010	2	<b>Fitting</b> , 90 degrees	
19	R147006	1	<b>Cooler Assembly</b> , transmission oil	
20	R090304	1	<b>Bracket</b> , transmission cooler attaching	
21	RS0302	1	<b>Bolt</b> , oil cooler attaching	
22	RS2180	1	<b>Lockwasher</b> , oil cooler attaching	
23	RS2058	1	<b>Nut</b> , oil cooler attaching	
24	R090010	1	<b>Clamp</b> , oil cooler mounting	
25	RS0256	1	<b>Bolt</b> , oil cooler clamp	
26	RS1028	1	<b>Nut</b> , oil cooler clamp	
27	RS2180	1	<b>Lockwasher</b> , cooler bracket mounting	
28	RS0316	1	<b>Bolt</b> , cooler bracket mounting (exhaust manifold bolt)	

TRANSMISSION AND RELATED COMPONENTS (VELVET DRIVE 5000) - FIGURE 32

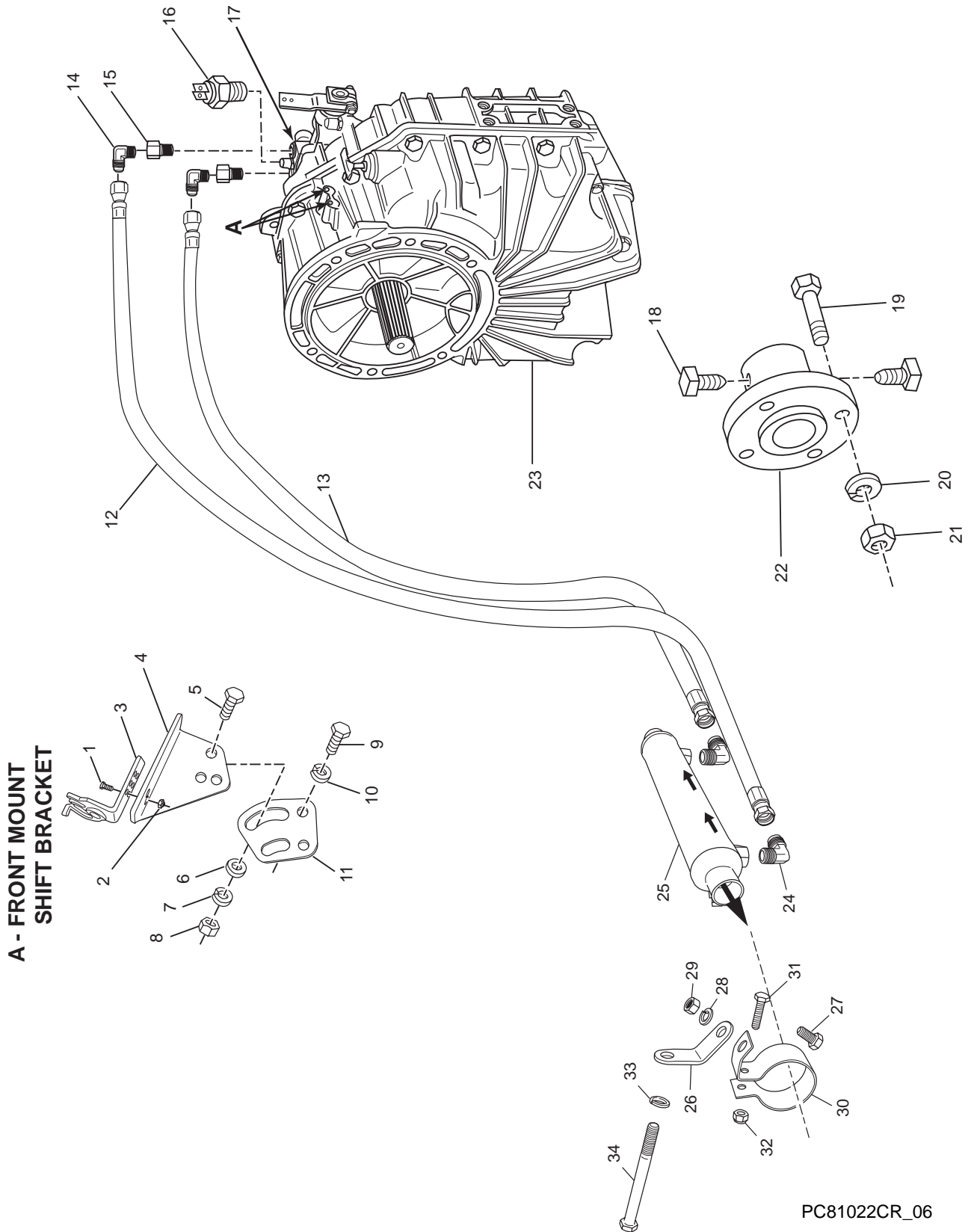


PC81021CR\_06

## TRANSMISSION AND RELATED COMPONENTS (VELVET DRIVE 5000) - FIGURE 32

ITEM	PART NO.	QTY.	DESCRIPTION	MODEL ID
1	RA045007T	1	<b>Hose Assembly</b> , transmission to cooler	
2	98227	1	<b>Shift Bracket</b> , (front entry)	
3	R090086	1	<b>Cable Clip</b> , single cable	
3	22232	OPT	<b>Cable Clip</b> , dual cable clip (not shown)	
4	RS5122	2	<b>Bolt</b> , clip attaching (1/2")	
5	RS2055	2	<b>Nut</b> , attaching bolt	
6	RS0329	2	<b>Bolt</b> , shift bracket attaching	
7	RS2180	2	<b>Washer</b> , shift bracket attaching bolt	
8	R024196	1	<b>Fitting</b> , adapter	
9	R020037	1	<b>Sender</b> , temperature alarm	
10	25542	1	<b>Switch &amp; O-Ring Assembly</b> (not shown)	
11	30603	1	<b>Fitting</b> , adapter	
12	2000090	2	<b>Screw</b> , set - coupler	
13	R148001	OPT	<b>Coupler</b> , prop shaft (1" shaft)	
13	R148002	OPT	<b>Coupler</b> , prop shaft (1 1/8" shaft)	
13	R148003	OPT	<b>Coupler</b> , prop shaft (1 1/4" shaft)	
13	R148004	OPT	<b>Coupler</b> , prop shaft (1 3/8" shaft)	
13	R148005	OPT	<b>Coupler</b> , prop shaft (1 1/2" shaft)	
13	R148007	OPT	<b>Coupler</b> , prop shaft (1 3/4" shaft)	
13	R148008	OPT	<b>Coupler</b> , prop shaft (2" shaft)	
14	22136	4	<b>Bolt</b> , coupling (1 1/2")	
15	RS2181	4	<b>Lockwasher</b> , coupling bolt	
16	RS1529	4	<b>Nut</b> , coupling bolt	
17	RA157020B	1	<b>Transmission</b> (1.50:1 Reduction) Down Angle	
17	RA157020C	1	<b>Transmission</b> (2:1 Reduction) Down Angle	
17	RA157020D	1	<b>Transmission</b> (2.45:1 Reduction) Down Angle	
17	RA157020E	1	<b>Transmission</b> (2.80:1 Reduction) Down Angle	
17	RA156008	1	<b>Transmission</b> (1.25:1 Reduction) V-Drive	
17	RA156008A	1	<b>Transmission</b> (1.50:1 Reduction) V-Drive	
17	RA156008B	1	<b>Transmission</b> (2:1 Reduction) V-Drive	
17	RA156008C	1	<b>Transmission</b> (2.50:1 Reduction) V-Drive	
18	18203	1	<b>Hose Assembly</b> , cooler to transmission	
19	R024010	2	<b>Fitting</b> , 90 degrees	
19A	137425	1	<b>Fitting</b> , 90 degrees	
20	R147006	1	<b>Cooler Assembly</b> , transmission oil	
21	R090304	1	<b>Bracket</b> , transmission cooler attaching	
22	RS0302	1	<b>Bolt</b> , oil cooler attaching	
23	RS2180	1	<b>Lockwasher</b> , oil cooler attaching	
24	RS2058	1	<b>Nut</b> , oil cooler attaching	
25	R090010	1	<b>Clamp</b> , oil cooler mounting	
26	RS0256	1	<b>Bolt</b> , oil cooler clamp	
27	RS1028	1	<b>Nut</b> , oil cooler clamp	
28	RS2180	1	<b>Lockwasher</b> , cooler bracket mounting	
29	RS0316	1	<b>Bolt</b> , cooler bracket mounting (exhaust manifold bolt)	

TRANSMISSION AND RELATED COMPONENTS (HURTH GEAR) - FIGURE 33

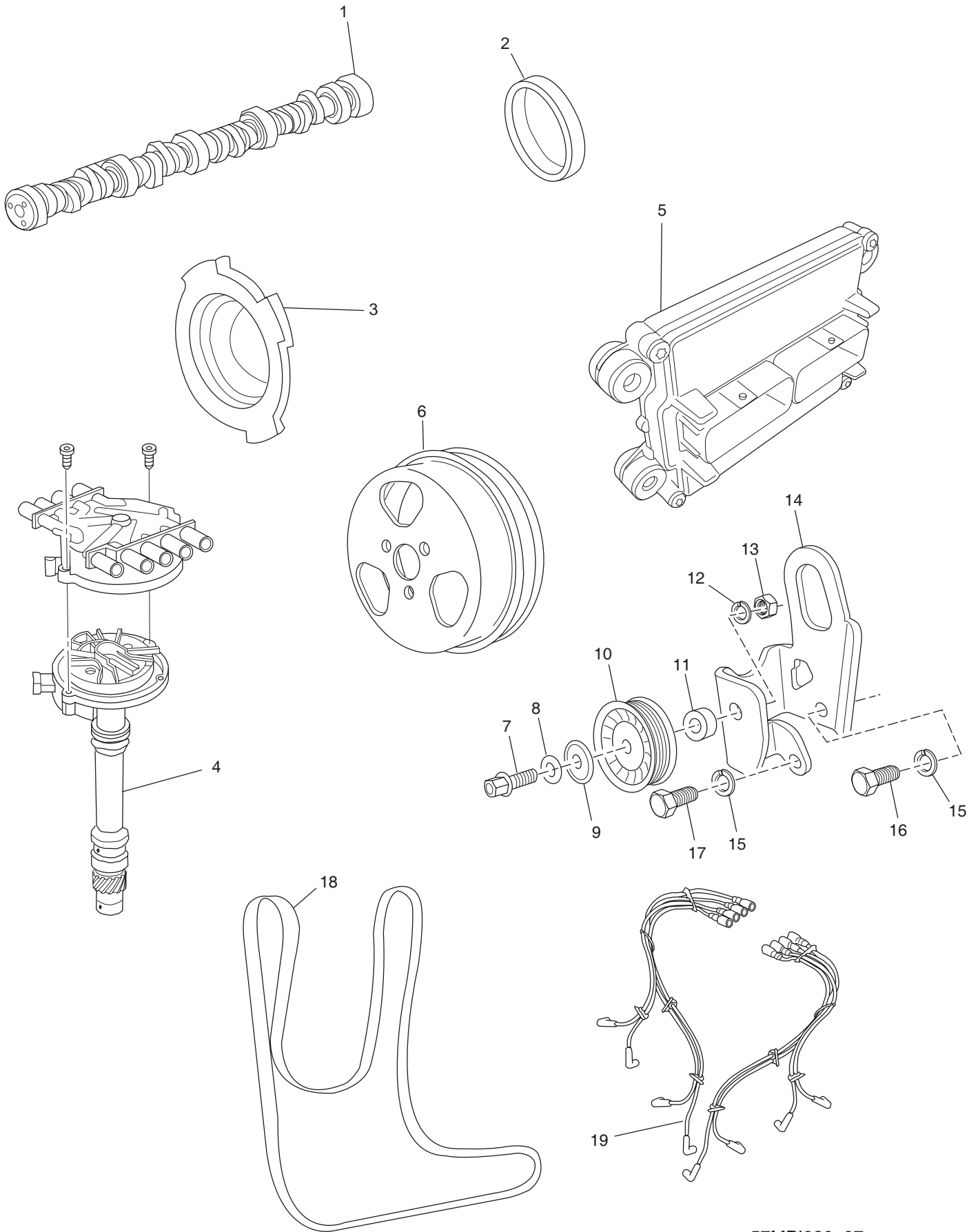




TRANSMISSION AND RELATED COMPONENTS (HURTH GEAR) - FIGURE 33

ITEM	PART NO.	QTY.	DESCRIPTION	MODEL ID
1	RS5122	2	<b>Bolt</b> , cable clip attaching	
2	RS2055	2	<b>Nut</b> , cable clip attaching bolt	
3	R090086	1	<b>Cable Clip</b> , single cable	
3	22232	OPT	<b>Cable Clip</b> , dual cable clip (not shown)	
4	R090202	1	<b>Shift Bracket</b> , cable clip attaching	
5	RS0282	2	<b>Bolt</b> , shift bracket attaching	
6	RS2674	2	<b>Washer</b> , shift bracket attaching bolt	
7	RS2179	2	<b>Lockwasher</b> , attaching bolt	
8	RS1027	2	<b>Nut</b> , shift bracket attaching bolt	
9	RS6531	2	<b>Bolt</b> , shift bracket attaching	
10	93930000	2	<b>Lockwasher</b> , shift bracket attaching bolt	
11	R090235	1	<b>Bracket</b> , shift	
12	RA045007H	1	<b>Hose Assembly</b> , transmission to cooler	
13	RA045007P	1	<b>Hose Assembly</b> , cooler to transmission	
14	R024010	2	<b>Fitting</b> , 90 degree	
15	R024196	2	<b>Fitting</b> , adapter	
16	R020037	1	<b>Sender</b> , temperature alarm	
17	25542	1	<b>Switch &amp; O-Ring Assembly</b> (not shown)	
18	2000090	2	<b>Screw</b> , set - coupler	
19	90418138	4	<b>Bolt</b> , coupling (1 3/8")	
20	RS2181	4	<b>Lockwasher</b> , coupling bolt	
21	RS1529	4	<b>Nut</b> , coupling bolt	
22	R148001	OPT	<b>Coupler</b> , prop shaft (1" shaft)	
22	R148002	OPT	<b>Coupler</b> , prop shaft (1 1/8" shaft)	
22	R148003	OPT	<b>Coupler</b> , prop shaft (1 1/4" shaft)	
22	R148004	OPT	<b>Coupler</b> , prop shaft (1 3/8" shaft)	
22	R148005	OPT	<b>Coupler</b> , prop shaft (1 1/2" shaft)	
22	R148007	OPT	<b>Coupler</b> , prop shaft (1 3/4" shaft)	
22	R148008	OPT	<b>Coupler</b> , prop shaft (2" shaft)	
23	RA157022	1	<b>Transmission 630A</b> (1.22:1 Reduction)	8° Down Angle
23	RA157022A	1	<b>Transmission 630A</b> (1.55:1 Reduction)	
23	RA157022B	1	<b>Transmission 630A</b> (2.00:1 Reduction)	
23	RA157022C	1	<b>Transmission 630A</b> (2.50:1 Reduction)	
23	RA157022D	1	<b>Transmission 630A</b> (2.70:1 Reduction)	
23	RA157023F	1	<b>Transmission 800A</b> (2.85:1 Reduction)	V-Drive
23	RA156009	1	<b>Transmission 630V</b> (1.29:1 Reduction)	
23	RA156009A	1	<b>Transmission 630V</b> (1.50:1 Reduction)	
23	RA156009B	1	<b>Transmission 630V</b> (2.00:1 Reduction)	
23	RA156009C	1	<b>Transmission 630V</b> (2.50:1 Reduction)	
24	R024010	2	<b>Fitting</b> , 90 degree	
25	R147006	1	<b>Cooler Assembly</b> , transmission oil	
26	R090304	1	<b>Bracket</b> , transmission cooler attaching	
27	RS0302	1	<b>Bolt</b> , oil cooler attaching	
28	RS2180	1	<b>Lockwasher</b> , oil cooler attaching	
29	RS2058	1	<b>Nut</b> , oil cooler attaching	
30	R090010	1	<b>Clamp</b> , oil cooler mounting	
31	RS0256	1	<b>Bolt</b> , oil cooler clamp	
32	RS1028	1	<b>Nut</b> , oil cooler clamp	
33	RS2180	1	<b>Lockwasher</b> , cooler bracket mounting	
34	RS0316	1	<b>Bolt</b> , cooler bracket mounting (exhaust manifold bolt)	
NI	RP077011	AR	<b>Kit</b> , transmission oil filter (ZF)	

RIGHT HAND ROTATION ENGINE COMPONENTS - FIGURE 34



57MPI020\_07

## RIGHT HAND ROTATION ENGINE COMPONENTS - FIGURE 34

ITEM	PART NO.	QTY.	DESCRIPTION	MODEL ID
*	RB001005A	1	<b>Base Engine Assembly (RH)</b>	
NI	98511	1	<b>Drive Damper Assembly, (ALL RH rotation)</b>	
1	RA050022	1	<b>Camshaft, engine (RH)</b>	
2	R047175	1	<b>Seal, crankshaft rear oil (RH)</b>	
3	R056001A	1	<b>Ring, crankshaft position sensor reluctor (RH)</b>	
4	RA107045	1	<b>Distributor Assembly (RH)</b>	
5	R116023 -5G03	1	<b>Engine Control Module (5.0L - RH) (ALL fuel systems, SS)</b>	
5	R116023 -5G04	1	<b>Engine Control Module (5.0L - RH) (ALL fuel systems, DS)</b>	
5	R116023 -5A03	1	<b>Engine Control Module (5.7L - RH) (ALL fuel systems, SS)</b>	
5	R116023 -5A04	1	<b>Engine Control Module (5.7L - RH) (ALL fuel systems, DS)</b>	
6	R065052A	1	<b>Pulley, raw water pump (RH)</b>	
7	98443050	1	<b>Bolt, Idler Pulley attaching</b>	
8	92940000	1	<b>Flat Washer, Idler Pulley attaching</b>	
9	R096145	1	<b>Flat Washer, Idler Pulley attaching</b>	
10	R065054	1	<b>Pulley, Idler</b>	
11	R062083	1	<b>Spacer, Idler Pulley</b>	
12	93940000	1	<b>Lock Washer, Idler Pulley attaching</b>	
13	L00908	1	<b>Nut, Idler Pulley attaching</b>	
14	R090307	1	<b>Bracket, Idler pulley 5.7 (RH)</b>	
15	RS2180	2	<b>Lock Washer, Idler bracket attaching</b>	
16	RS0304	1	<b>Bolt, Idler bracket attaching, upper</b>	
17	RS0306	1	<b>Bolt, Idler bracket attaching, lower</b>	
18	R066029A	1	<b>Belt, serpentine drive, 5.0/5.7L (RH)</b>	
19	RK120020	1	<b>Spark Plug Wire Set (RH)</b>	

ITEM	PART NUMBER	DESCRIPTION	QUANTITY
*	<b>RK173089D-07</b>	<b>Kit, On-Board Parts 5.7L (LH), FCC Fuel System</b>	
	22433	<b>Box</b> , On-Board	1
	R066028	<b>Belt</b> , Serpentine	1
	R103011	<b>Rotor</b> , Distributor (HVS)	1
	RA108009	<b>Cap</b> , Distributor (HVS)	1
	R153017C	<b>Fuse</b> , 5 Amp	2
	R153017A	<b>Fuse</b> , 15 Amp	2
	R153017B	<b>Fuse</b> , 20 Amp	2
	R153019C	<b>Fuse</b> , 20 Amp, MAXI	1
	R153019F	<b>Fuse</b> , 40 Amp, MAXI	1
	R130015	<b>Relay</b> , 12V, Fuel Pump, Ignition	1
	R130016	<b>Relay</b> , 12V, Start	1
	RP030010	<b>Spark Plug</b> , Set, (Platinum)	1
	RP061022	<b>Impeller</b> , Raw Water Pump	1
	R080033	<b>Primary Fuel Filter Element</b>	1
	RP080026	<b>Filter and O-Ring</b> , Kit, FCC	1
*	<b>RK173089E-07</b>	<b>Kit, On-Board Parts 5.7L (RH), FCC Fuel System</b>	
	22433	<b>Box</b> , On-Board	1
	R066029A	<b>Belt</b> , Serpentine	1
	R103011	<b>Rotor</b> , Distributor (HVS)	1
	RA108009	<b>Cap</b> , Distributor (HVS)	1
	R153017C	<b>Fuse</b> , 5 Amp	2
	R153017A	<b>Fuse</b> , 15 Amp	2
	R153017B	<b>Fuse</b> , 20 Amp	2
	R153019C	<b>Fuse</b> , 20 Amp, MAXI	1
	R153019F	<b>Fuse</b> , 40 Amp, MAXI	1
	R130015	<b>Relay</b> , 12V, Fuel Pump, Ignition	1
	R130016	<b>Relay</b> , 12V, Start	1
	RP030010	<b>Spark Plug</b> , Set, (Platinum)	1
	RP061022	<b>Impeller</b> , Raw Water Pump	1
	R080033	<b>Primary Fuel Filter Element</b>	1
	RP080026	<b>Filter and O-Ring</b> , Kit, FCC	1

This Page Was  
Intentially  
Left Blank